

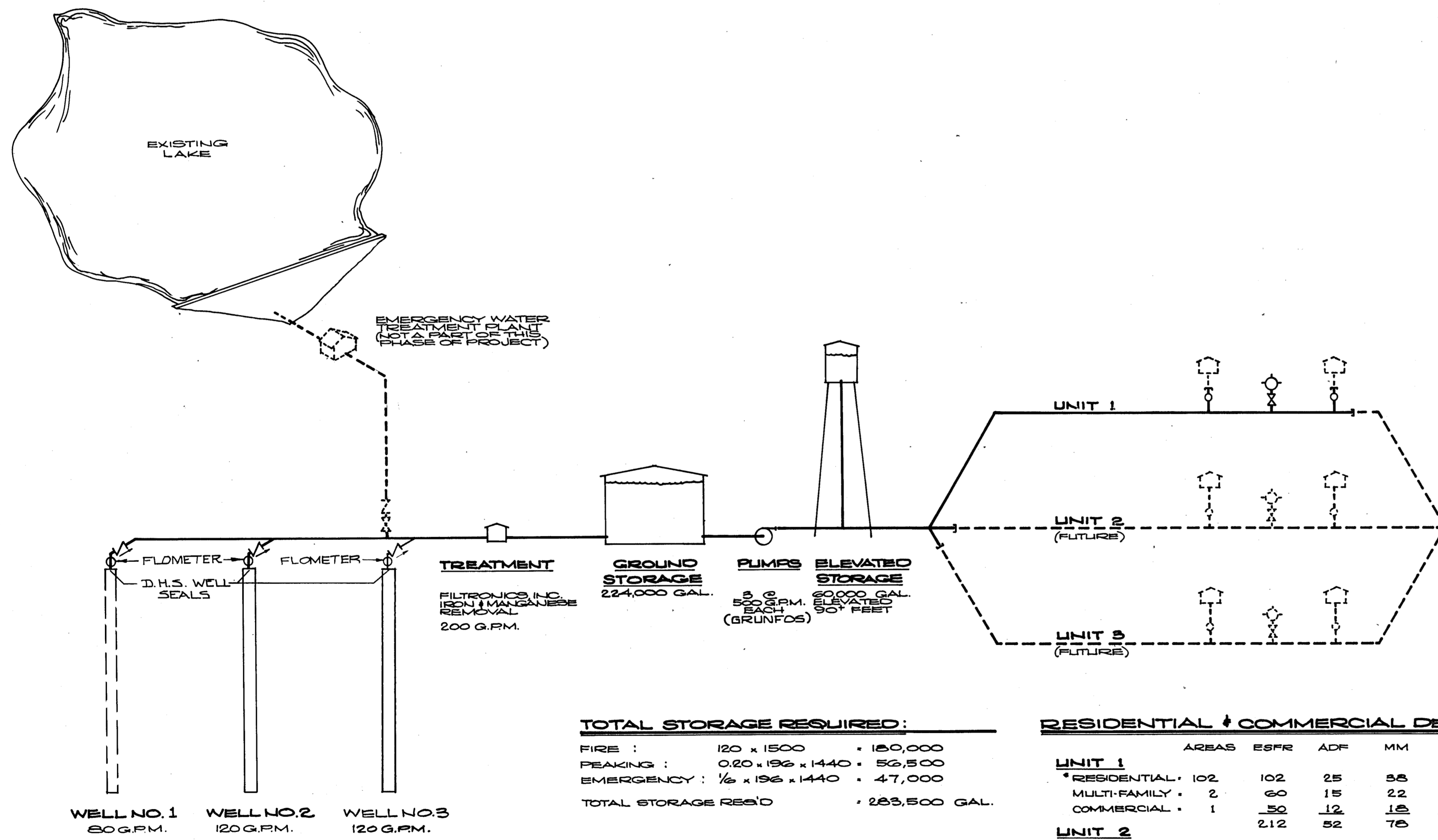
WALLACE LAKE ESTATES

UNIT NO. 1

WATER IMPROVEMENTS

INDEX OF SHEETS

- W-1 COVER SHEET & WATER SCHEMATIC
- W-2 WATER MASTER PLAN
- W-3 WATER TREATMENT & STORAGE
- W-4 WATER DETAILS
- FUTURE PLANT UNDER SEPARATE COVER



TOTAL STORAGE REQUIRED:

FIRE :	120 x 1500	• 180,000
PEAKING :	0.20 x 196 x 1440	• 56,500
EMERGENCY :	1/6 x 196 x 1440	• 47,000
TOTAL STORAGE REQ'D		• 283,500 GAL.

RESIDENTIAL & COMMERCIAL DEMAND

	AREAS	ESFR	ADF	MM	MD	MH	FIRE
UNIT 1							
RESIDENTIAL	102	102	25	38	50	75	500
MULTI-FAMILY	2	60	15	22	30	45	1000
COMMERCIAL	1	50	12	18	24	36	1500
UNIT 2							
RESIDENTIAL	85	85	21	31	42	63	500
UNIT 3							
RESIDENTIAL	102	102	25	38	50	75	500
TOTAL EQUIVALENT							
	399	398	98	147	196	294	

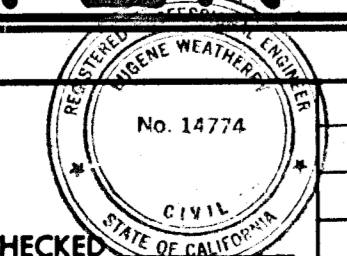
* ADF = 102 x 250 / 1440 = 25 G.P.M.

WATER SYSTEM SCHEMATIC

NO SCALE

DITCHER POST NUMBER NO. 03118

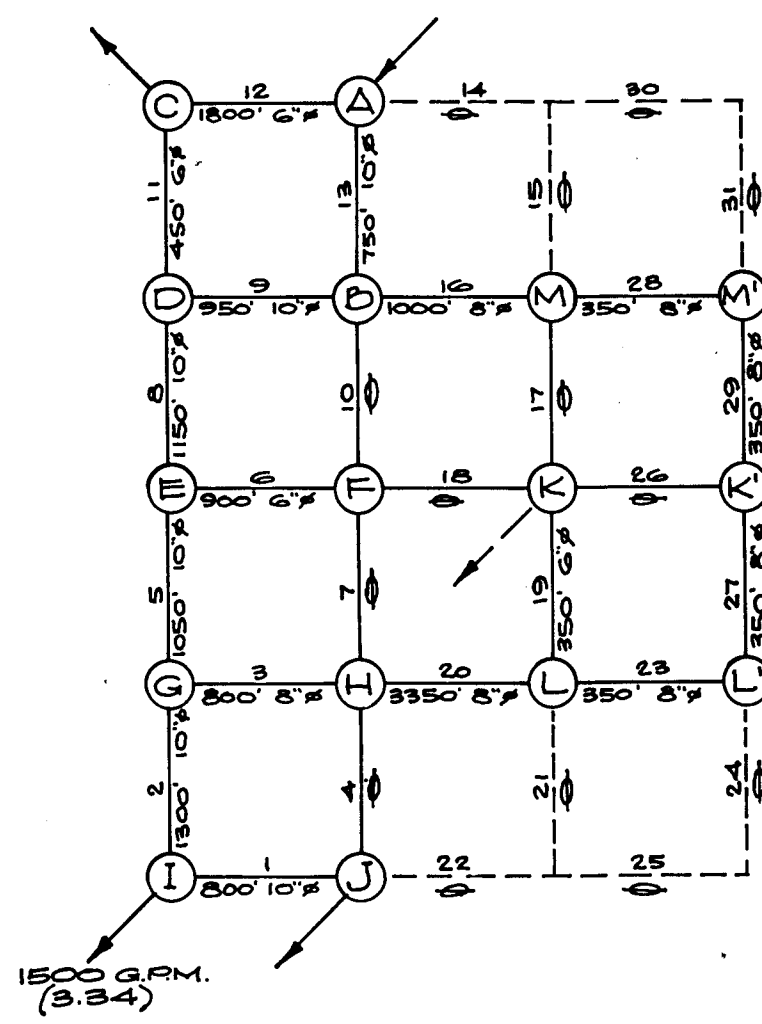
DRAWN BY: R.S. CHECKED: _____
 SUBMITTED BY: [Signature] C. E. NO. 14774 EXPIRES: 3-31-89
 REVISION DATE DESCRIPTION BY APPD.
 1 1/28/81 RIGHTS 5 & 6 ADDED [Signature]



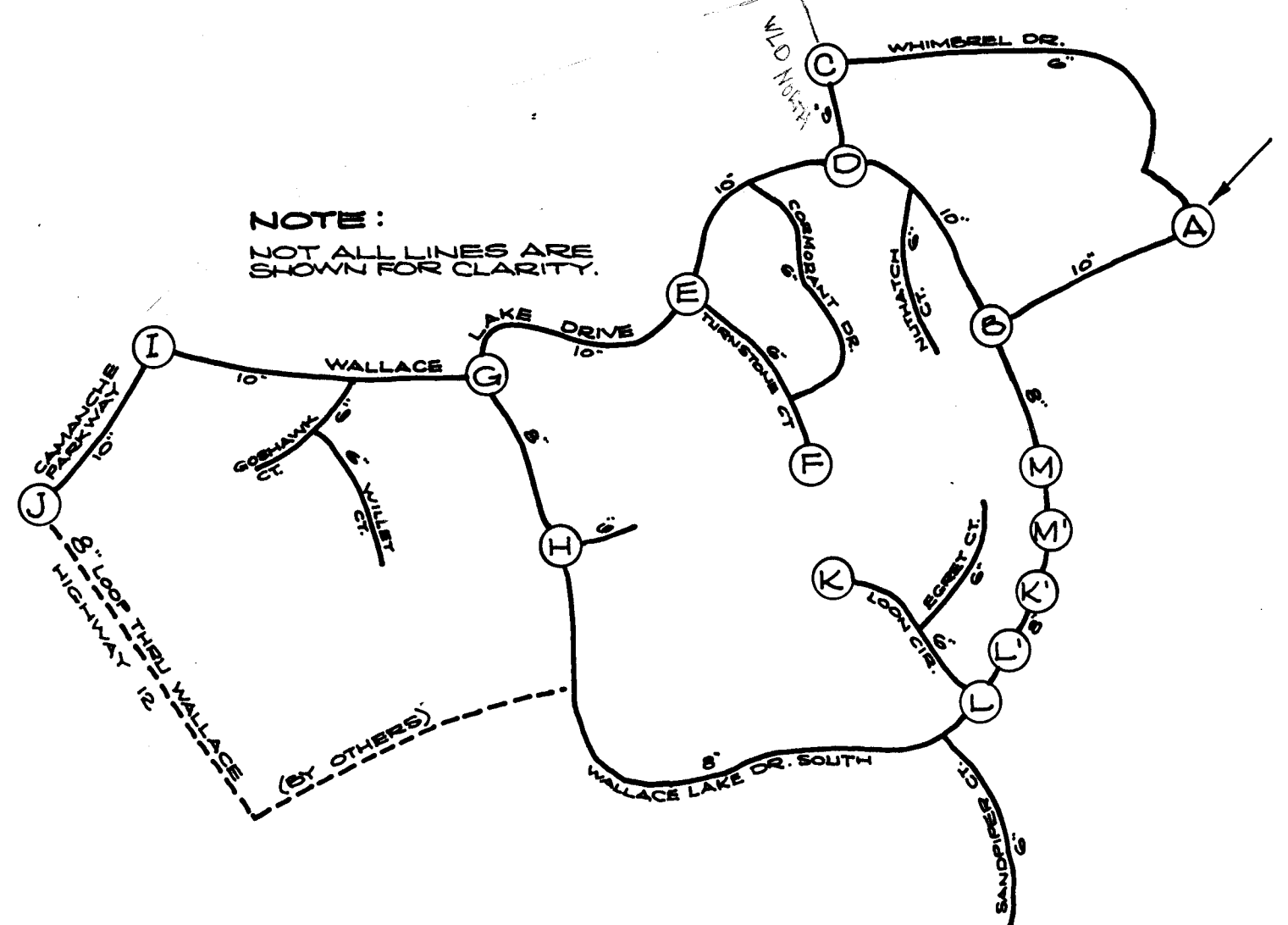
WEATHERBY ASSOCIATES INC.
 ENGINEERING - SURVEYING - PLANNING
 206 Peak Street, Jackson, CA. 95642
 209-223-0381 209-714-1137

WALLACE LAKE ESTATES
UNIT NO. 1
 CALAVERAS COUNTY, CALIFORNIA
WATER SYSTEM SCHEMATIC

DATE	2-10-88
SCALE	NONE
SHEET	W-1
FILE NO.	D-3345
OF	6

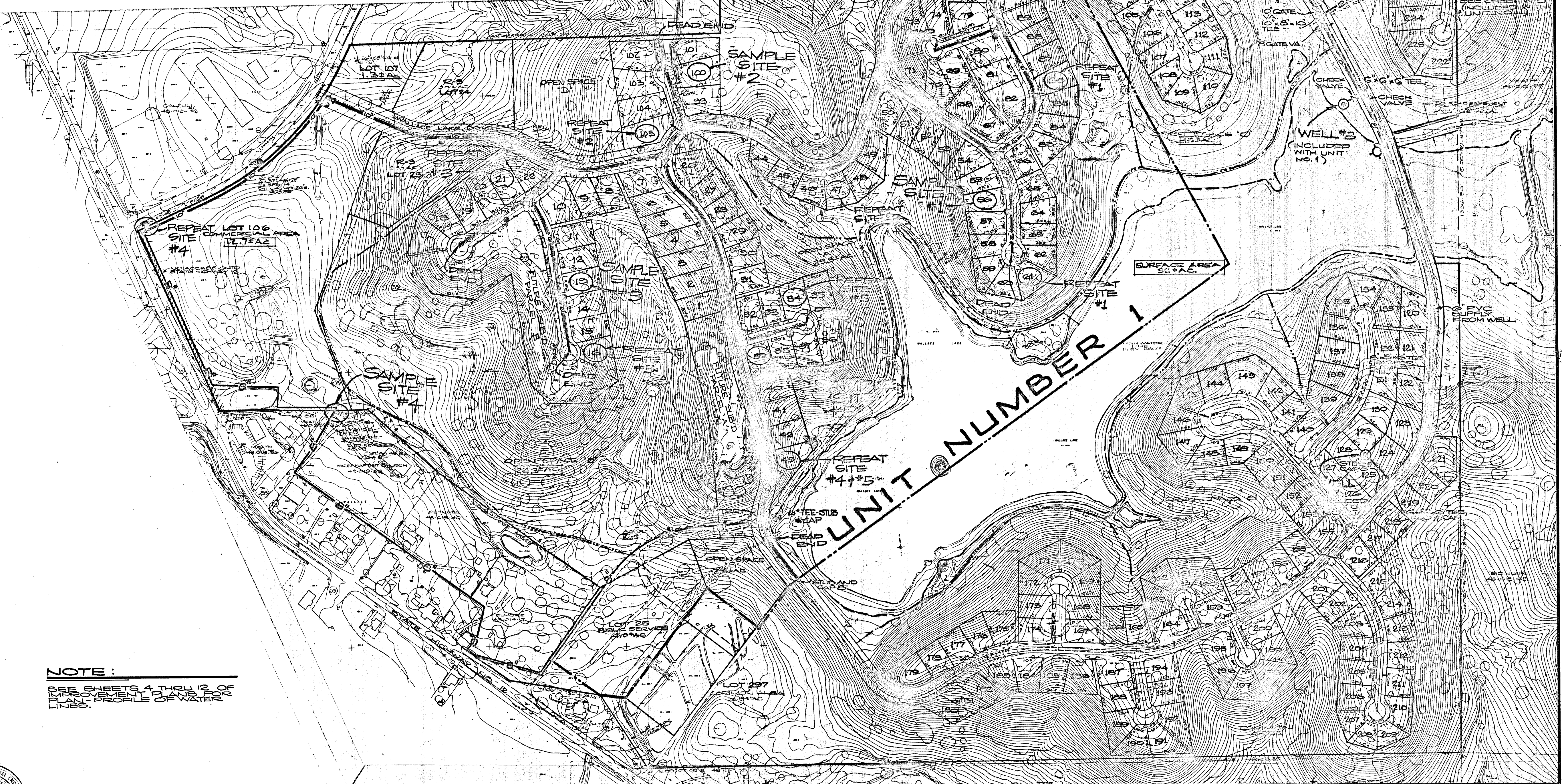


HARDY CROSS SYSTEM LAYOUT



OVERALL SYSTEM SCHEMATIC

NO SCALE



NOTE:
 THIS PLAN SHEETS 4, 11, 12, 13, 14, 15, 16, 17, 18, 19, 20, 21, 22, 23, 24, 25, 26, 27, 28, 29, 30, 31, 32, 33, 34, 35, 36, 37, 38, 39, 40, 41, 42, 43, 44, 45, 46, 47, 48, 49, 50, 51, 52, 53, 54, 55, 56, 57, 58, 59, 60, 61, 62, 63, 64, 65, 66, 67, 68, 69, 70, 71, 72, 73, 74, 75, 76, 77, 78, 79, 80, 81, 82, 83, 84, 85, 86, 87, 88, 89, 90, 91, 92, 93, 94, 95, 96, 97, 98, 99, 100, 101, 102, 103, 104, 105, 106, 107, 108, 109, 110, 111, 112, 113, 114, 115, 116, 117, 118, 119, 120, 121, 122, 123, 124, 125, 126, 127, 128, 129, 130, 131, 132, 133, 134, 135, 136, 137, 138, 139, 140, 141, 142, 143, 144, 145, 146, 147, 148, 149, 150, 151, 152, 153, 154, 155, 156, 157, 158, 159, 160, 161, 162, 163, 164, 165, 166, 167, 168, 169, 170, 171, 172, 173, 174, 175, 176, 177, 178, 179, 180, 181, 182, 183, 184, 185, 186, 187, 188, 189, 190, 191, 192, 193, 194, 195, 196, 197, 198, 199, 200, 201, 202, 203, 204, 205, 206, 207, 208, 209, 210, 211, 212, 213, 214, 215, 216, 217, 218, 219, 220, 221, 222, 223, 224, 225, 226, 227, 228, 229, 230, 231, 232, 233, 234, 235, 236, 237, 238, 239, 240, 241, 242, 243, 244, 245, 246, 247, 248, 249, 250, 251, 252, 253, 254, 255, 256, 257, 258, 259, 260, 261, 262, 263, 264, 265, 266, 267, 268, 269, 270, 271, 272, 273, 274, 275, 276, 277, 278, 279, 280, 281, 282, 283, 284, 285, 286, 287, 288, 289, 290, 291, 292, 293, 294, 295, 296, 297, 298, 299, 300, 301, 302, 303, 304, 305, 306, 307, 308, 309, 310, 311, 312, 313, 314, 315, 316, 317, 318, 319, 320, 321, 322, 323, 324, 325, 326, 327, 328, 329, 330, 331, 332, 333, 334, 335, 336, 337, 338, 339, 340, 341, 342, 343, 344, 345, 346, 347, 348, 349, 350, 351, 352, 353, 354, 355, 356, 357, 358, 359, 360, 361, 362, 363, 364, 365, 366, 367, 368, 369, 370, 371, 372, 373, 374, 375, 376, 377, 378, 379, 380, 381, 382, 383, 384, 385, 386, 387, 388, 389, 390, 391, 392, 393, 394, 395, 396, 397, 398, 399, 400, 401, 402, 403, 404, 405, 406, 407, 408, 409, 410, 411, 412, 413, 414, 415, 416, 417, 418, 419, 420, 421, 422, 423, 424, 425, 426, 427, 428, 429, 430, 431, 432, 433, 434, 435, 436, 437, 438, 439, 440, 441, 442, 443, 444, 445, 446, 447, 448, 449, 450, 451, 452, 453, 454, 455, 456, 457, 458, 459, 460, 461, 462, 463, 464, 465, 466, 467, 468, 469, 470, 471, 472, 473, 474, 475, 476, 477, 478, 479, 480, 481, 482, 483, 484, 485, 486, 487, 488, 489, 490, 491, 492, 493, 494, 495, 496, 497, 498, 499, 500, 501, 502, 503, 504, 505, 506, 507, 508, 509, 510, 511, 512, 513, 514, 515, 516, 517, 518, 519, 520, 521, 522, 523, 524, 525, 526, 527, 528, 529, 530, 531, 532, 533, 534, 535, 536, 537, 538, 539, 540, 541, 542, 543, 544, 545, 546, 547, 548, 549, 550, 551, 552, 553, 554, 555, 556, 557, 558, 559, 560, 561, 562, 563, 564, 565, 566, 567, 568, 569, 570, 571, 572, 573, 574, 575, 576, 577, 578, 579, 580, 581, 582, 583, 584, 585, 586, 587, 588, 589, 590, 591, 592, 593, 594, 595, 596, 597, 598, 599, 600, 601, 602, 603, 604, 605, 606, 607, 608, 609, 610, 611, 612, 613, 614, 615, 616, 617, 618, 619, 620, 621, 622, 623, 624, 625, 626, 627, 628, 629, 630, 631, 632, 633, 634, 635, 636, 637, 638, 639, 640, 641, 642, 643, 644, 645, 646, 647, 648, 649, 650, 651, 652, 653, 654, 655, 656, 657, 658, 659, 660, 661, 662, 663, 664, 665, 666, 667, 668, 669, 670, 671, 672, 673, 674, 675, 676, 677, 678, 679, 680, 681, 682, 683, 684, 685, 686, 687, 688, 689, 690, 691, 692, 693, 694, 695, 696, 697, 698, 699, 700, 701, 702, 703, 704, 705, 706, 707, 708, 709, 710, 711, 712, 713, 714, 715, 716, 717, 718, 719, 720, 721, 722, 723, 724, 725, 726, 727, 728, 729, 730, 731, 732, 733, 734, 735, 736, 737, 738, 739, 740, 741, 742, 743, 744, 745, 746, 747, 748, 749, 750, 751, 752, 753, 754, 755, 756, 757, 758, 759, 760, 761, 762, 763, 764, 765, 766, 767, 768, 769, 770, 771, 772, 773, 774, 775, 776, 777, 778, 779, 780, 781, 782, 783, 784, 785, 786, 787, 788, 789, 790, 791, 792, 793, 794, 795, 796, 797, 798, 799, 800, 801, 802, 803, 804, 805, 806, 807, 808, 809, 810, 811, 812, 813, 814, 815, 816, 817, 818, 819, 820, 821, 822, 823, 824, 825, 826, 827, 828, 829, 830, 831, 832, 833, 834, 835, 836, 837, 838, 839, 840, 841, 842, 843, 844, 845, 846, 847, 848, 849, 850, 851, 852, 853, 854, 855, 856, 857, 858, 859, 860, 861, 862, 863, 864, 865, 866, 867, 868, 869, 870, 871, 872, 873, 874, 875, 876, 877, 878, 879, 880, 881, 882, 883, 884, 885, 886, 887, 888, 889, 890, 891, 892, 893, 894, 895, 896, 897, 898, 899, 900, 901, 902, 903, 904, 905, 906, 907, 908, 909, 910, 911, 912, 913, 914, 915, 916, 917, 918, 919, 920, 921, 922, 923, 924, 925, 926, 927, 928, 929, 930, 931, 932, 933, 934, 935, 936, 937, 938, 939, 940, 941, 942, 943, 944, 945, 946, 947, 948, 949, 950, 951, 952, 953, 954, 955, 956, 957, 958, 959, 960, 961, 962, 963, 964, 965, 966, 967, 968, 969, 970, 971, 972, 973, 974, 975, 976, 977, 978, 979, 980, 981, 982, 983, 984, 985, 986, 987, 988, 989, 990, 991, 992, 993, 994, 995, 996, 997, 998, 999, 1000.

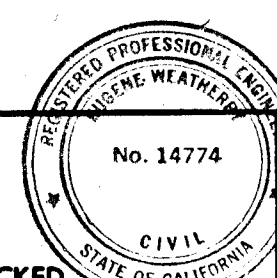
DRAWN BY: RS CHECKED: _____
 SUBMITTED BY: E. J. [Signature] C. E. NO. 14774
 EXPIRES: 3-31-89

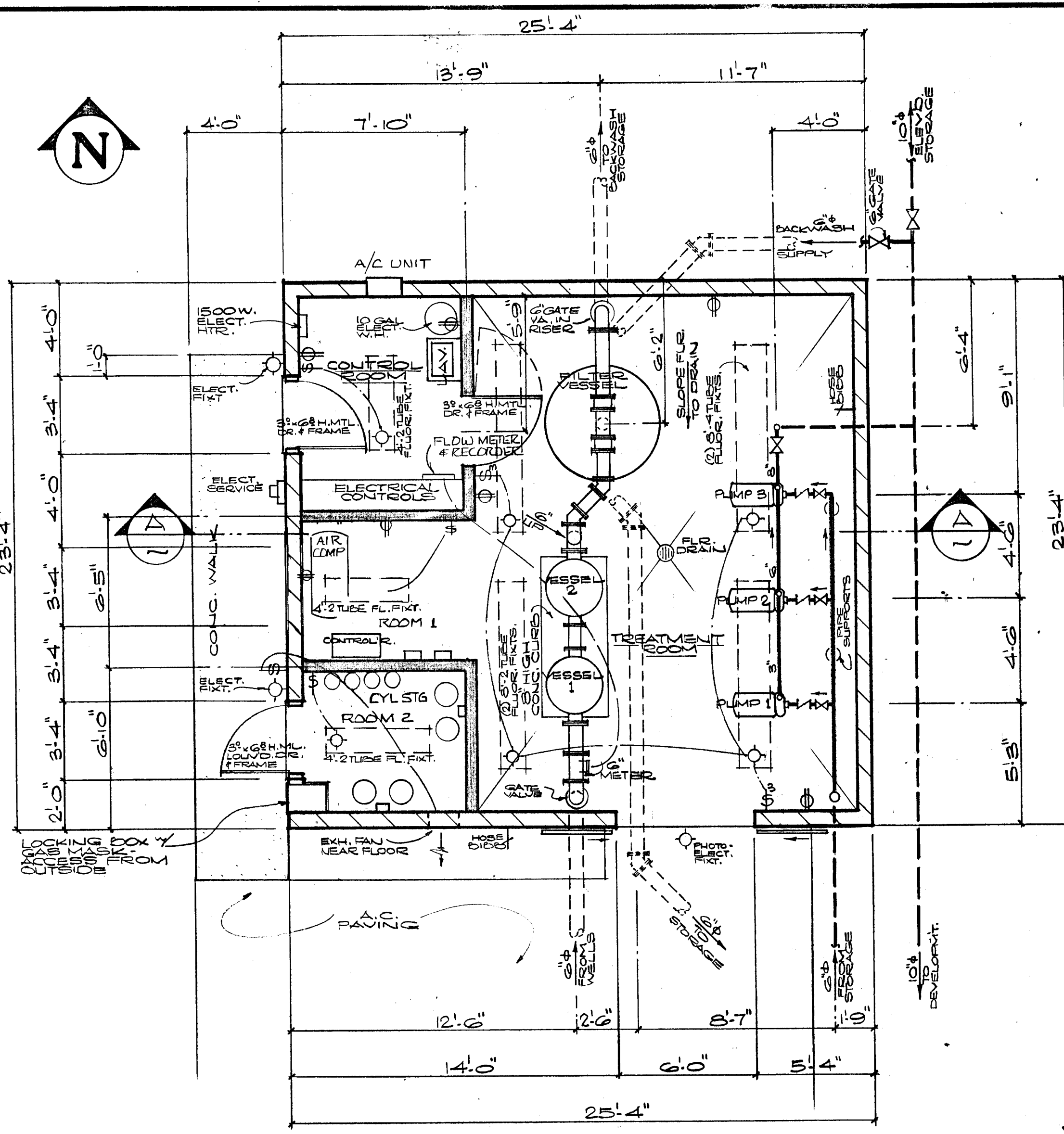
REVISION	DATE	DESCRIPTION	BY	APPD.
1	4/9/81	LOT # UPDATE		

WEATHERBY ASSOCIATES INC.
 ENGINEERING - SURVEYING - PLANNING
 206 Peak Street, Jackson, CA. 95642
 209-223-0381 209-714-1137

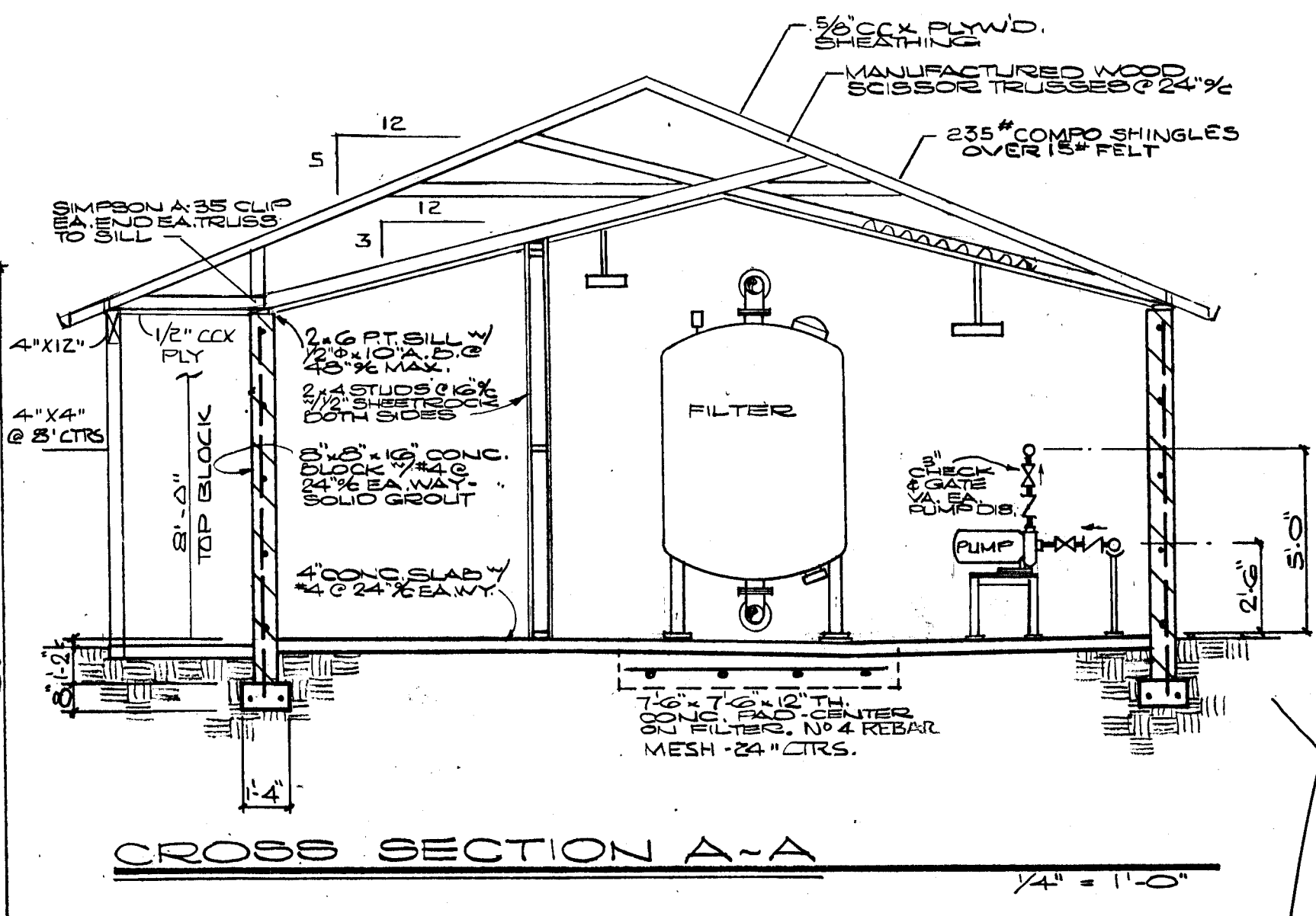
WALLACE LAKE ESTATES
UNIT NO. 1
 CALAVERAS COUNTY, CALIFORNIA
WATER MASTER PLAN

SCALE: 1" = 200'
 SHEET **W-2** OF 6
 FILE NO. **D-3345**
 DATE: 2-12-88

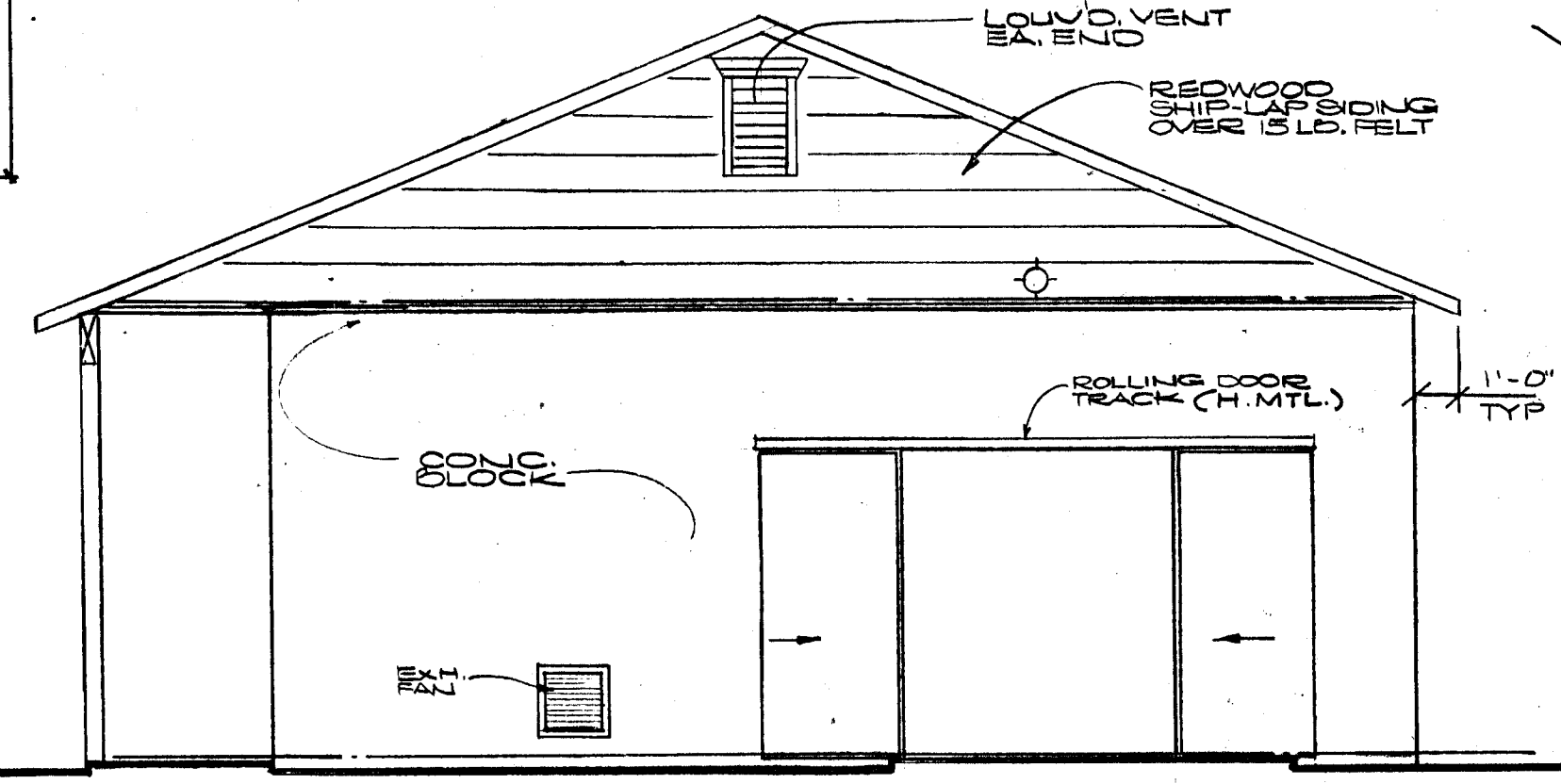




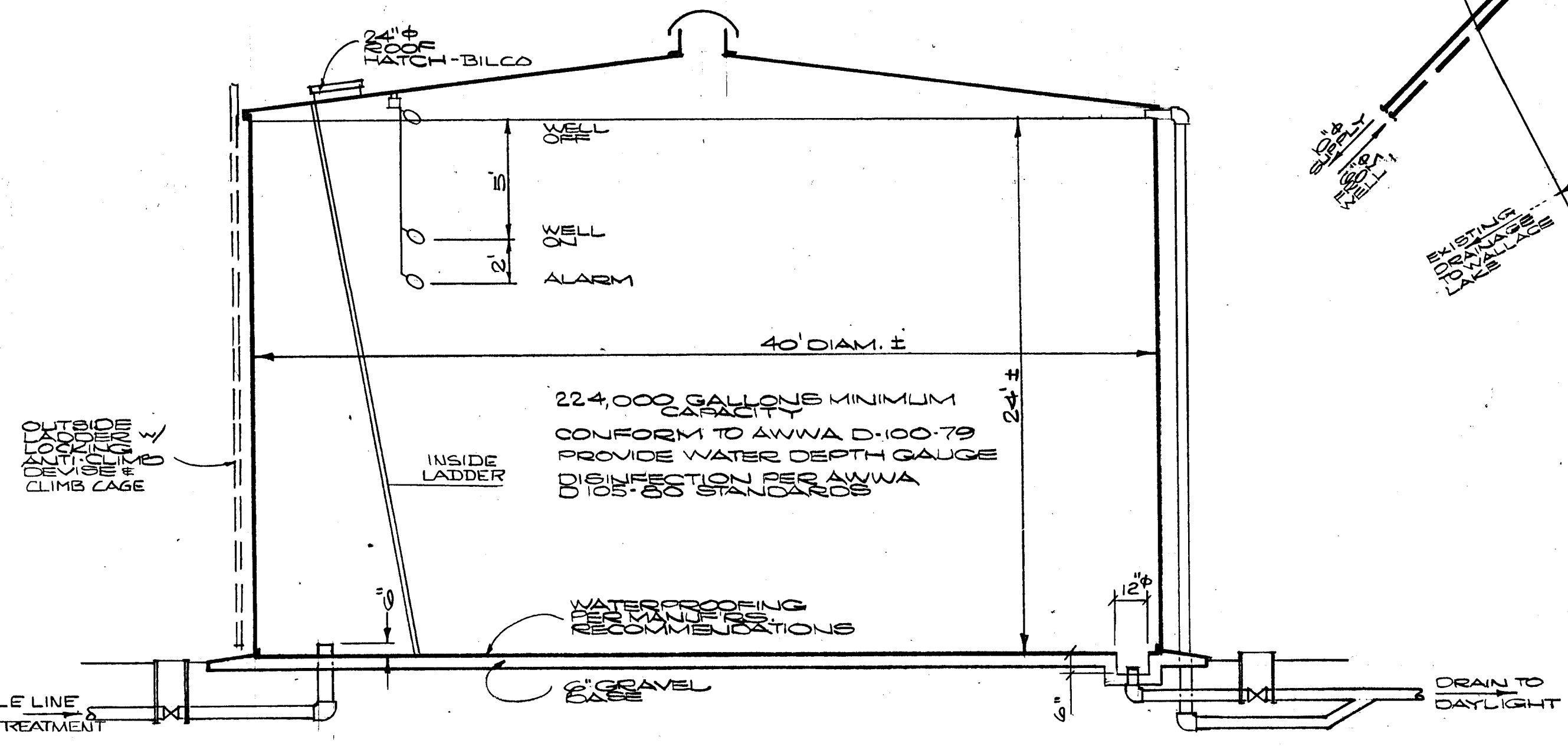
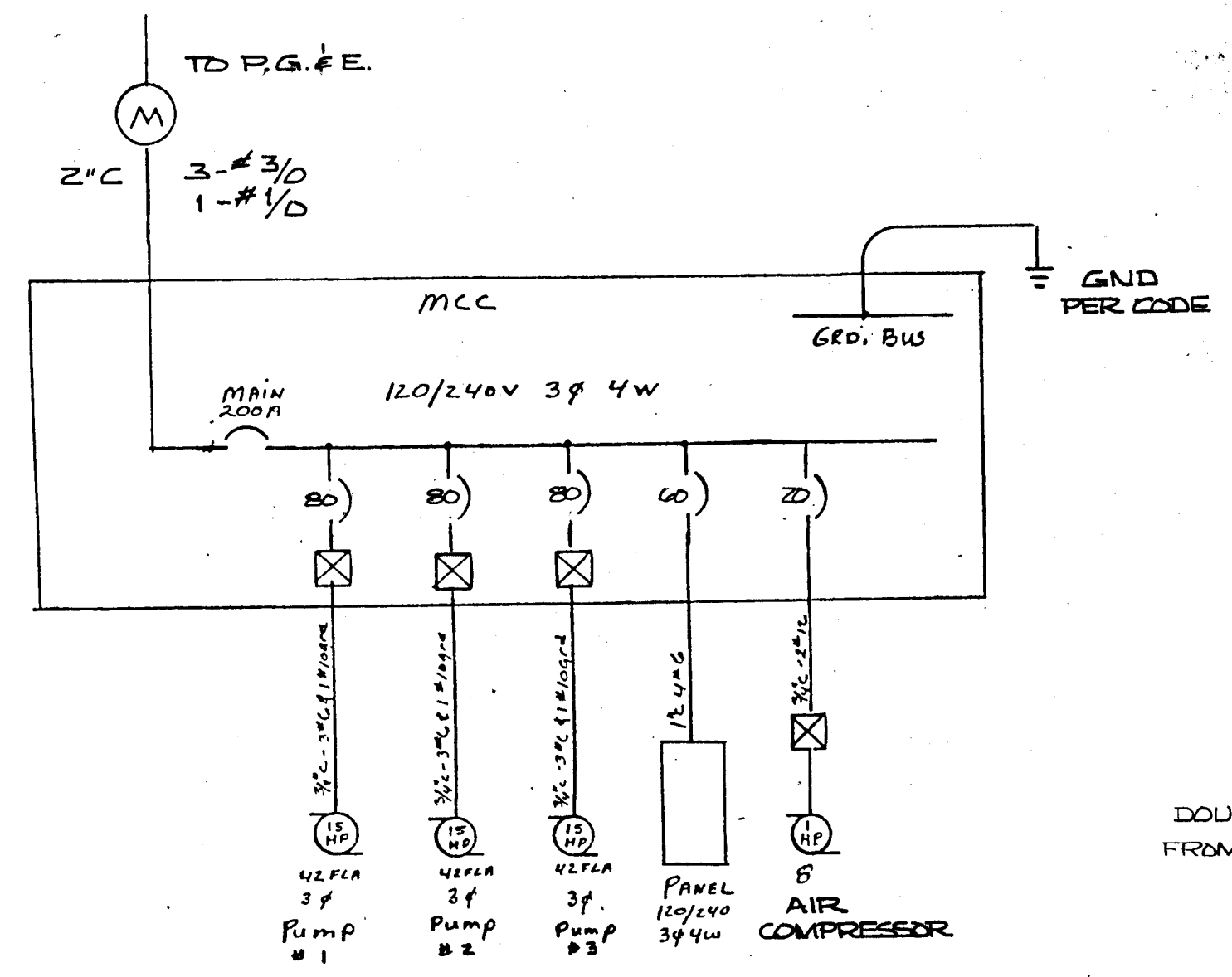
FLOOR PLAN



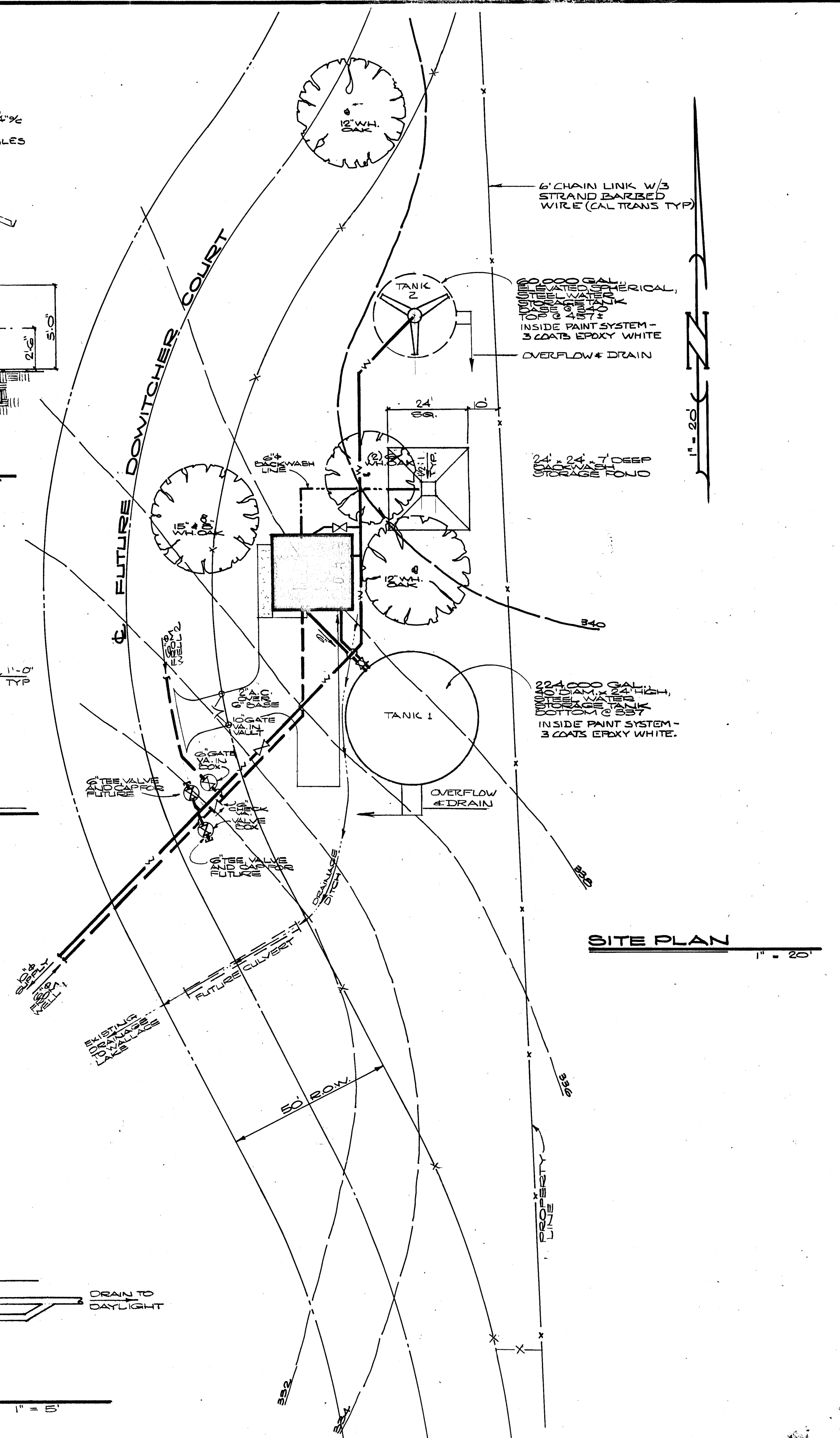
CROSS SECTION A-A



SOUTH ELEVATION



STEEL WATER STORAGE TANK SCHEMATIC SECTION



SITE PLAN

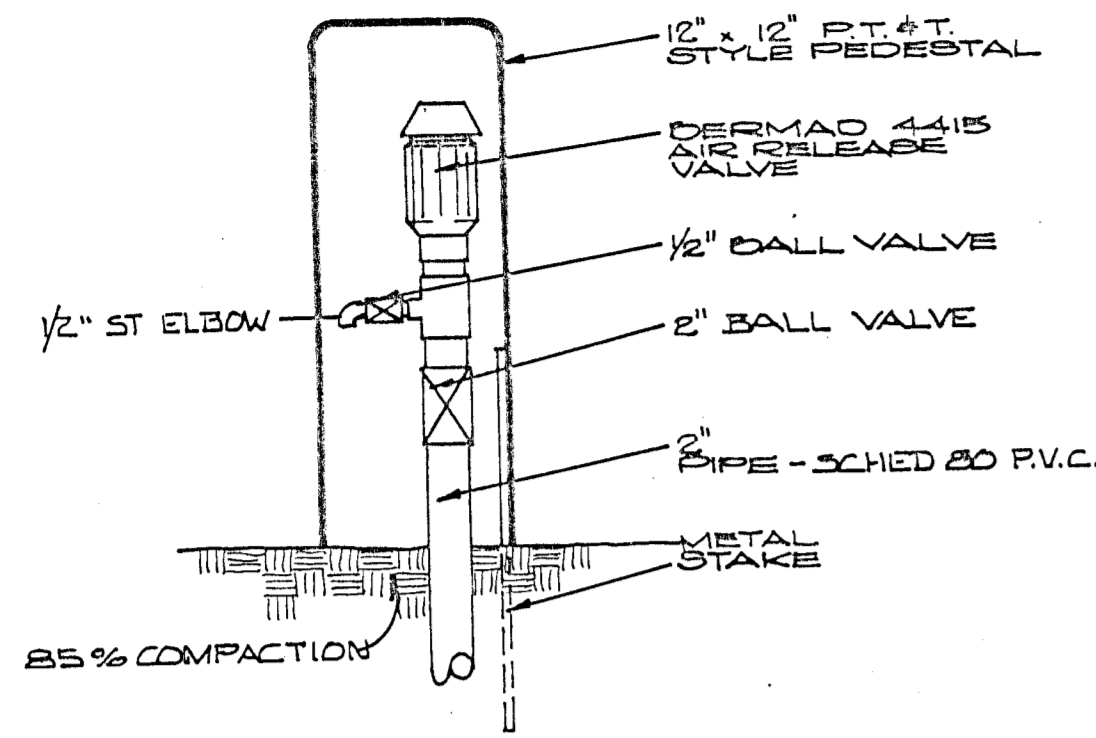
DRAWN BY: R.S. CHECKED: [Signature]
 SUBMITTED BY: [Signature] C.E. NO. 14774
 EXPIRES 3-31-25

REVISION	DATE	DESCRIPTION	BY	APPD.
1	1/10/21	WIRING SCHEMATIC ADDED		

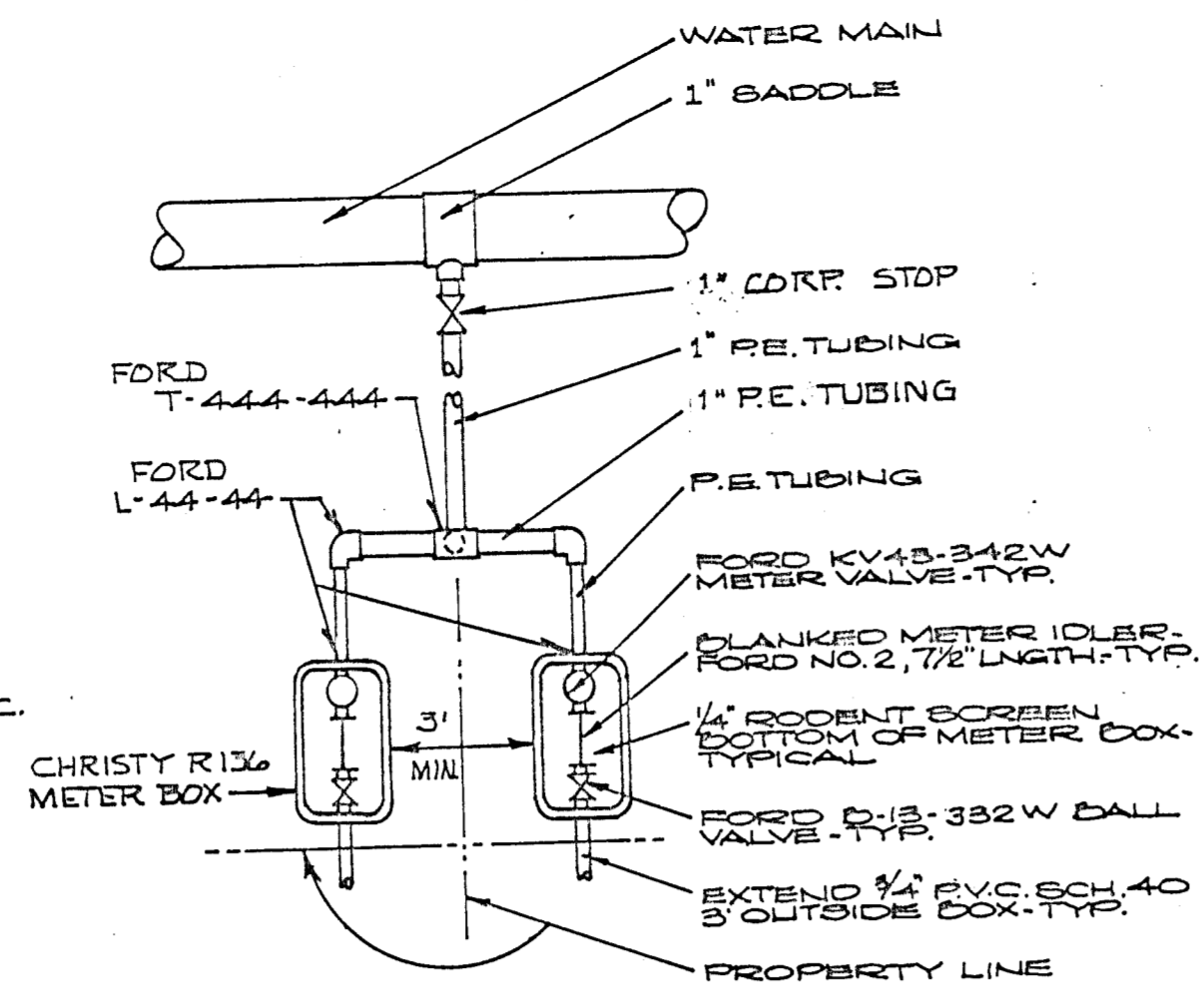
WEATHERBY ASSOCIATES INC.
 ENGINEERING - SURVEYING - PLANNING
 206 Peak Street, Jackson, CA. 95642
 209-223-0381 209-744-1137

WALLACE LAKE ESTATES
UNIT NO. 1
 CALAVERAS COUNTY, CALIFORNIA
WATER TREATMENT & STORAGE

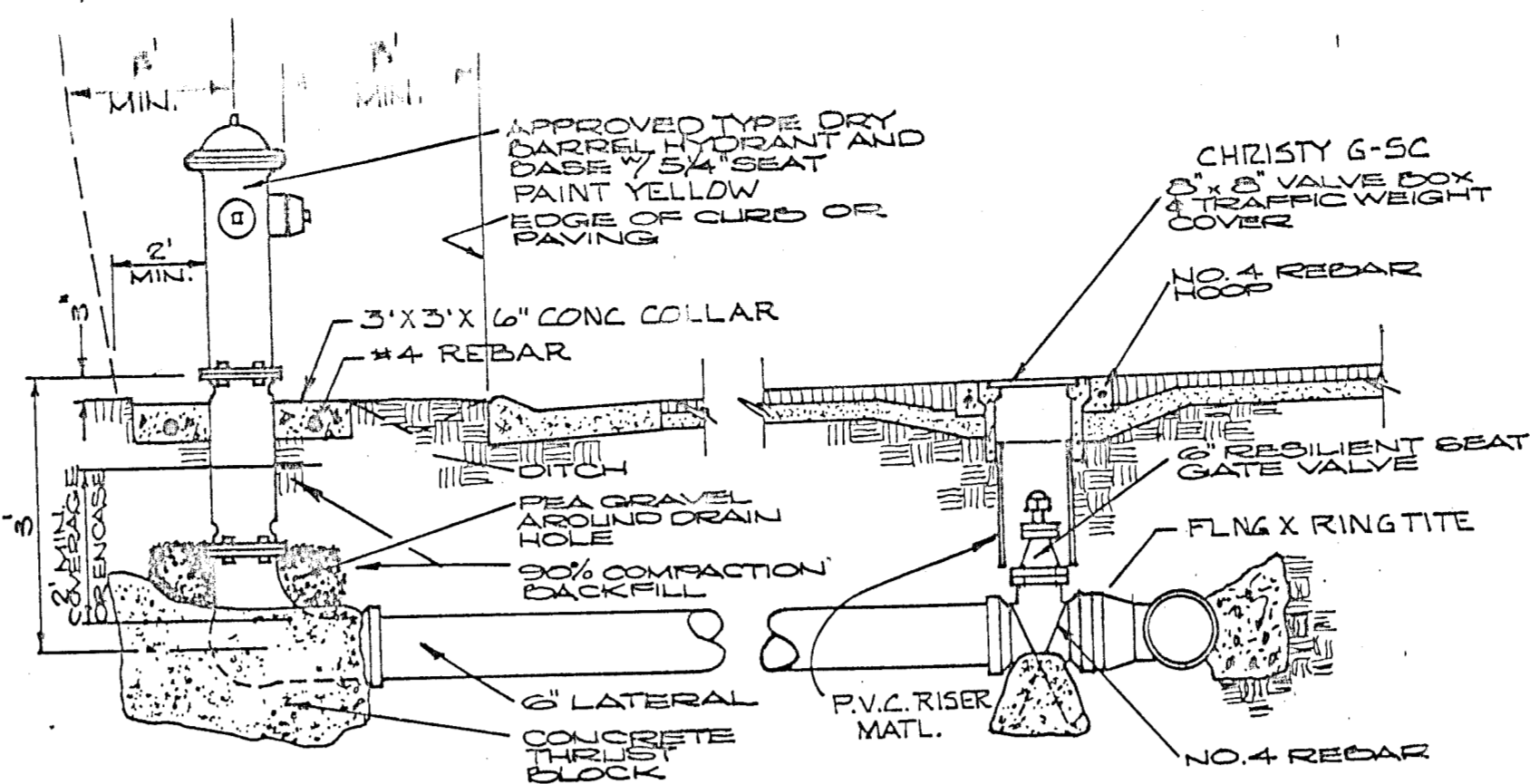
DATE: 2.12.25
 SHEET: W-3
 FILE NO.: D-3345
 OF 6



AIR RELEASE VALVE
NO SCALE



TYP. WATER SERVICE
NO SCALE



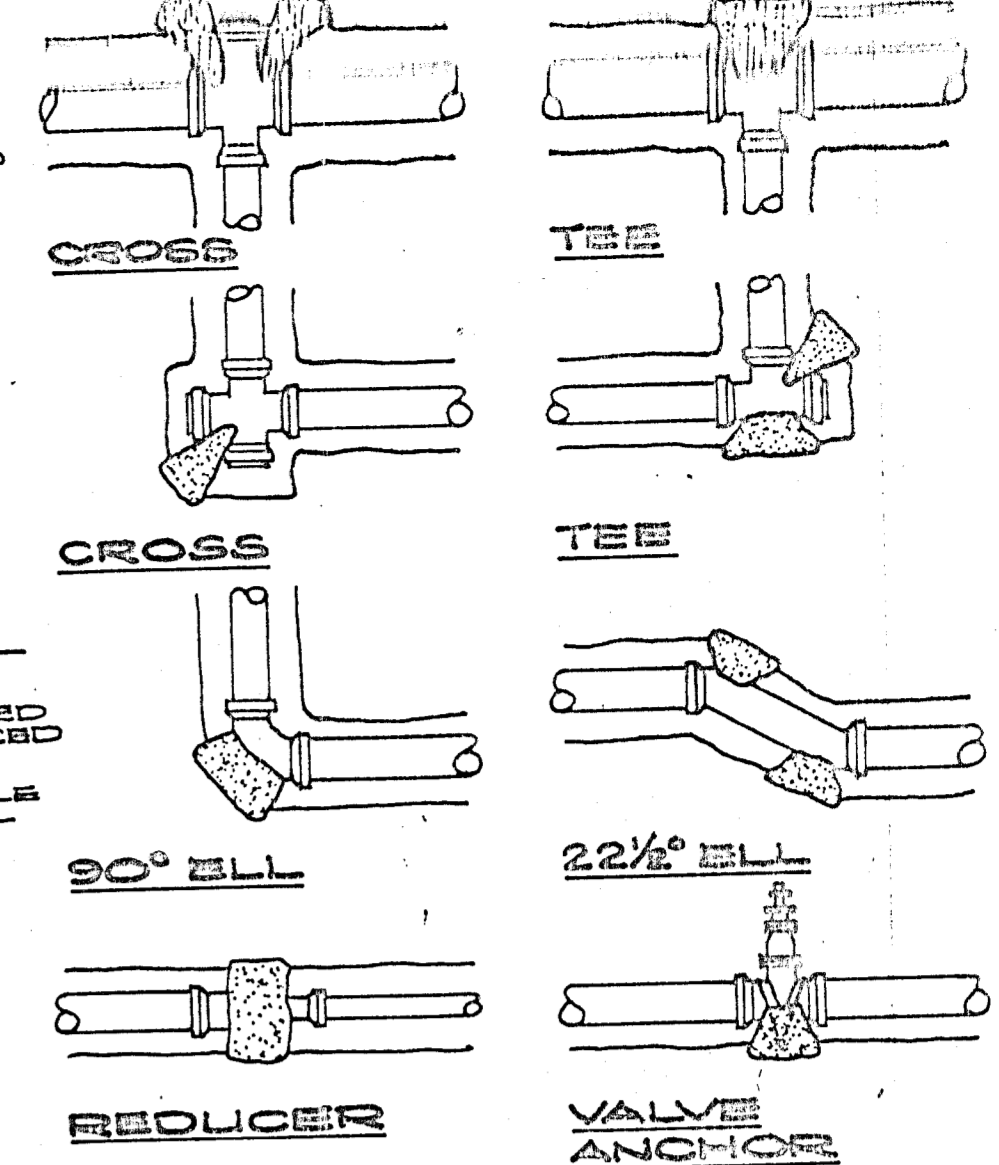
- NOTES:**
1. VALVE COX SHALL BE SET IN CONCRETE BLOCK EXTENDING 6" OUTSIDE COX. SHALL NOT BE LESS THAN 6" THICK AND SHALL CONTAIN ONE NO. 4 HOOP REBAR. SEE VALVE DETAIL FOR COX.
 2. DETAILS SHOWN FOR VALVES ON HYDRANT LATERALS SHALL APPLY TO VALVES ON MAINS ALSO.
 3. THE FIRST BLOCK SHALL NOT OBSTRUCT HYDRANT BARREL DRAIN HOLES.
 4. GATE VALVES SHALL BE ATTACHED DIRECTLY TO MAIN LINES BY FLANGED CONNECTION.
 5. FIRE HYDRANT INSTALLATION IN HILL AREAS OR WHERE DURY IS LESS THAN 1:2 OR WHERE THE GATE VALVE CANNOT BE SET AGAINST FIRM GROUND SHALL BE CONSTRUCTED USING FLANGED CONNECTIONS FROM TEE TO HYDRANT.

FIRE HYDRANT DETAIL
NO SCALE

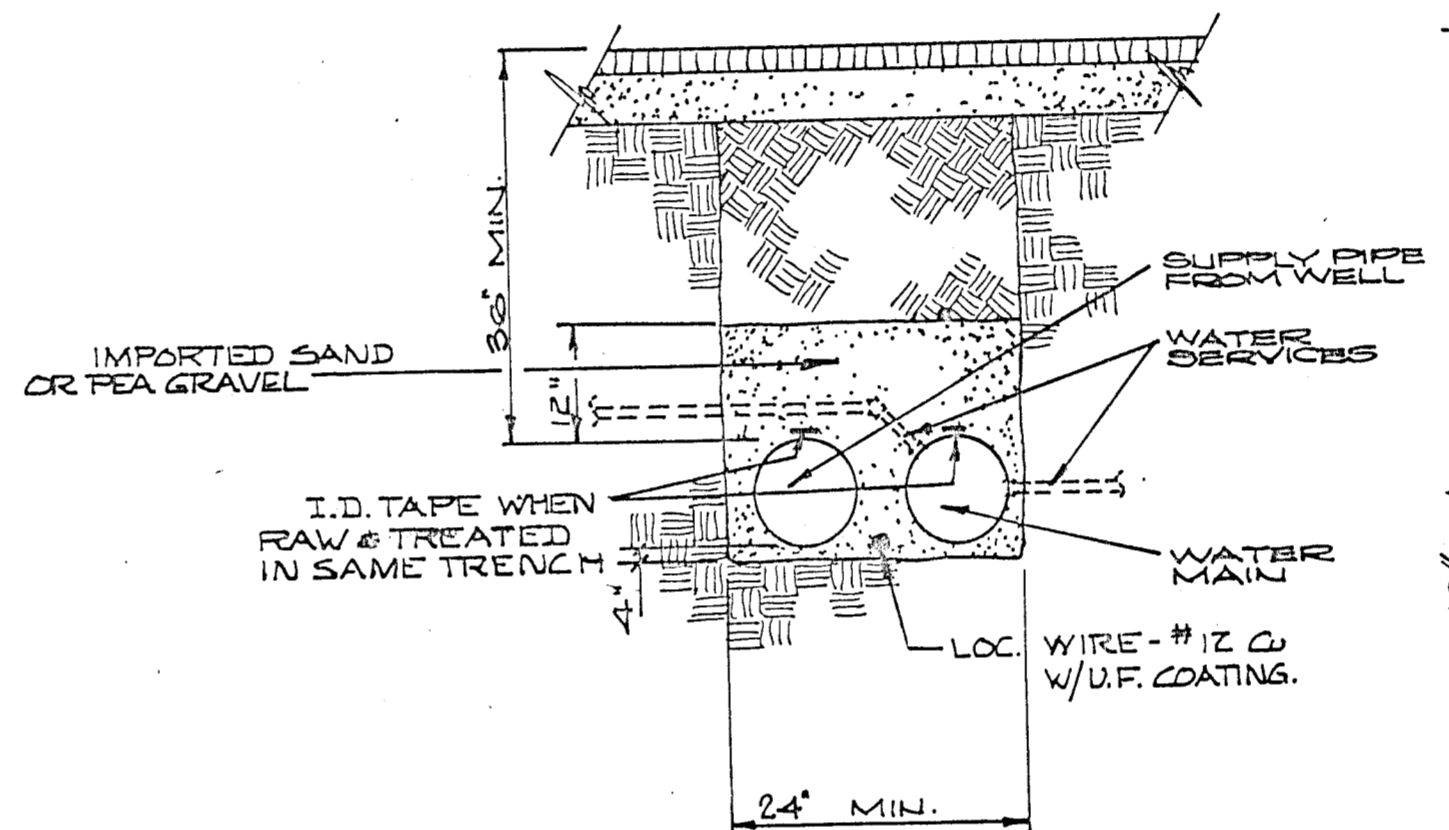
SIZE	90° ELL	15° ELL	TEE OR DEAD END
1/2"	.3	.2	.2
3/4"	.5	.3	.4
1"	.7	.4	.5
1 1/2"	1.1	.6	.8
2"	1.8	1.0	1.3
3"	4.0	2.1	2.8
4"	7.0	4.0	5.0
6"	12.0	6.0	8.0

NOTES:

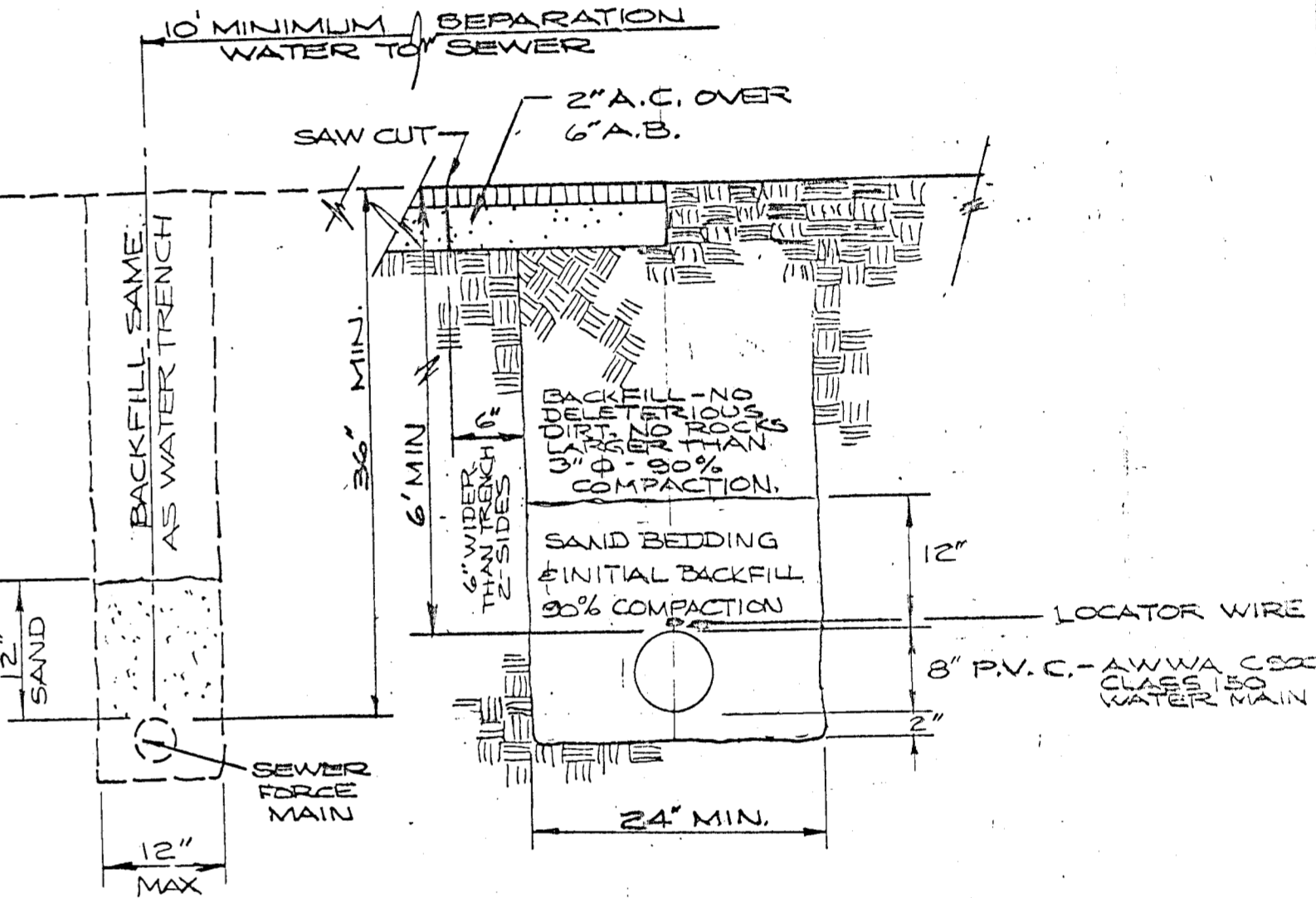
ALL THE JOINT BLOCKS TO BE SOURED AGAINST UNDISTURBED SOIL CONCRETE SHALL BE PLACED BEHIND CHANGING FITTINGS. BEARING AREAS SHOWN IN TABLE ARE BASED ON ALLOWABLE SOIL PRESSURE OF 1500 P.S.I. WATER PRESSURE.



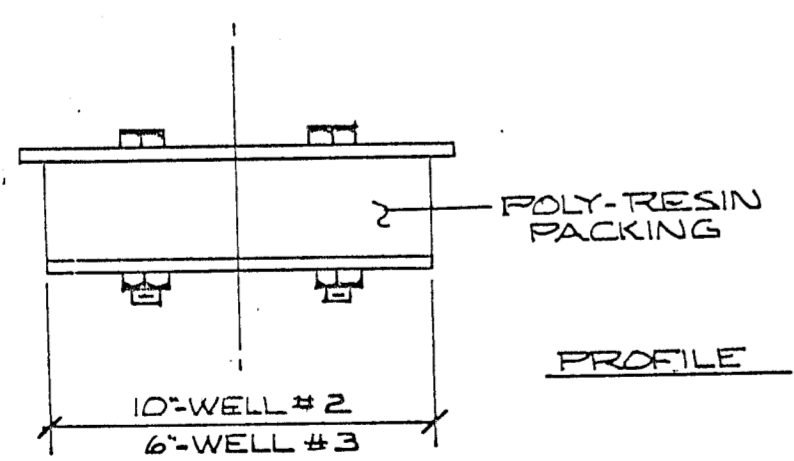
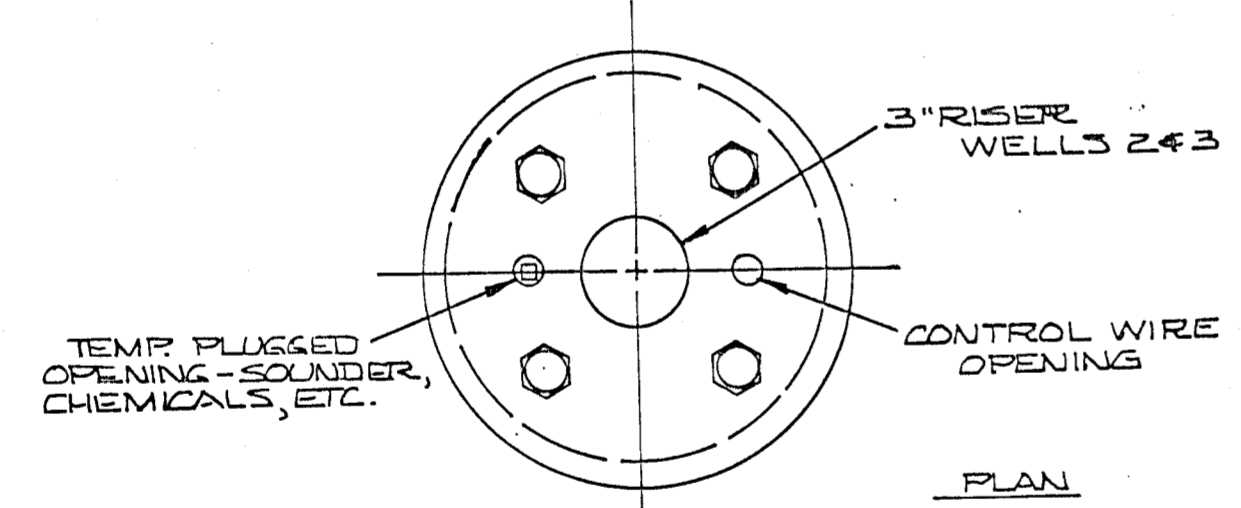
THRUST BLOCK DETAILS
NO SCALE



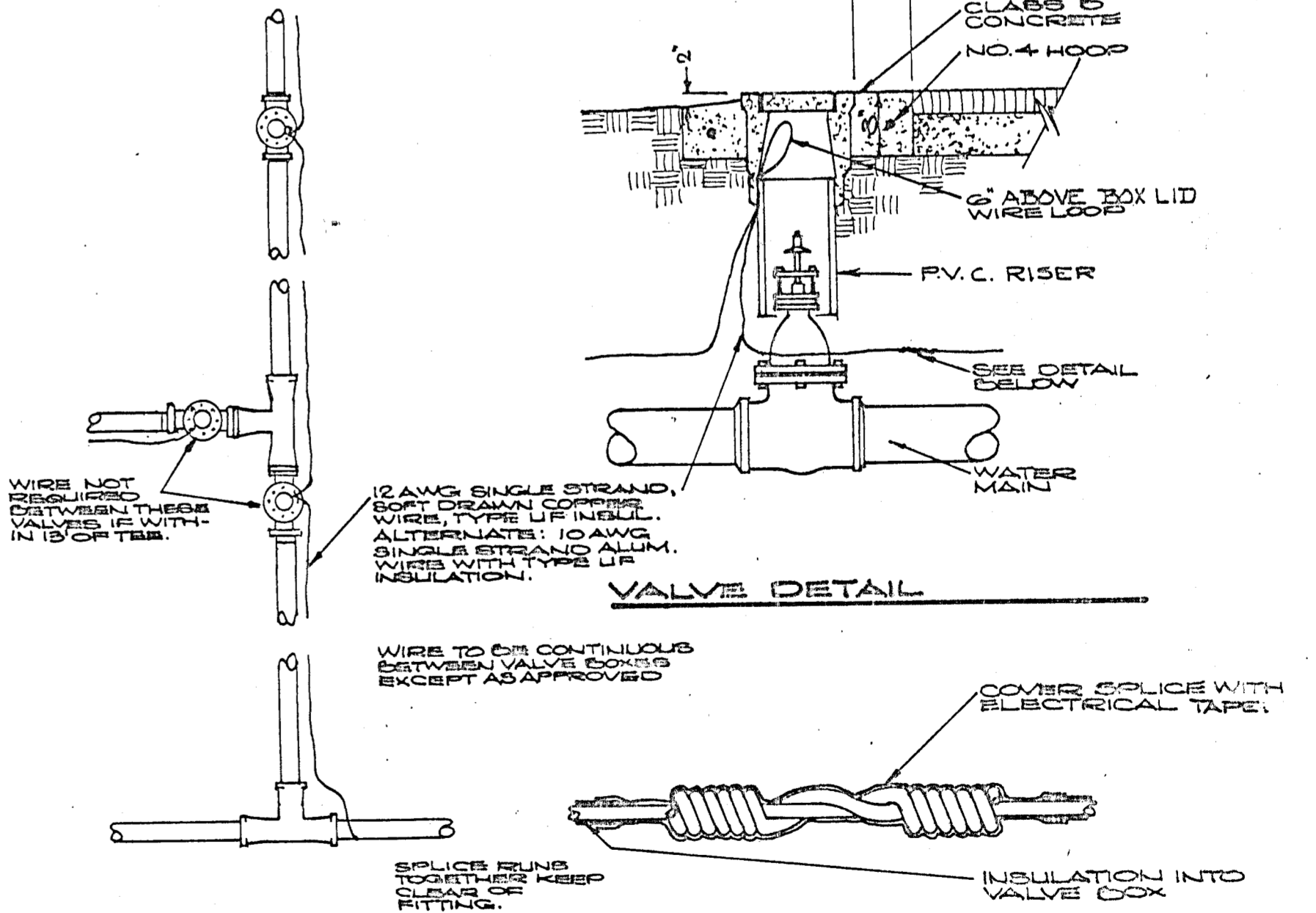
WATER TRENCH DETAIL
NO SCALE



TRENCH DETAIL
NO SCALE

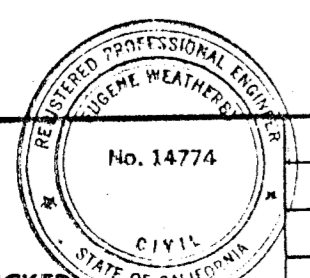


WELL SEAL DETAIL
N.T.S.



VALVE DETAIL
SPlice DETAIL

LOCATOR WIRE DETAIL
NO SCALE



DRAWN BY: R.B. CHECKED: [Signature]
SUBMITTED BY: [Signature] C.E. NO. 14774 EXPIRES 3.31.09

REVISION	DATE	DESCRIPTION	BY	APPD.
1	3-5-08	CHK CHNS - DETAIL	R.H.	

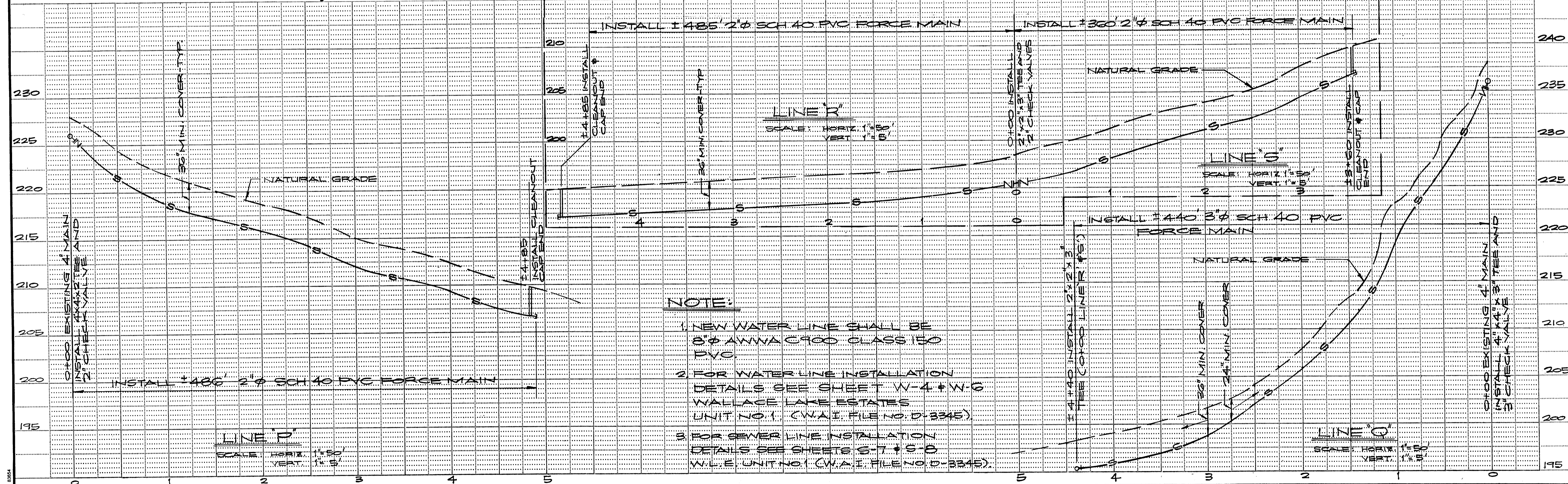
WEATHERBY ASSOCIATES INC.
ENGINEERING - SURVEYING - PLANNING
206 Peak Street, Jackson, CA, 95642
209-223-0381 209-754-1137

WALLACE LAKE ESTATES
UNIT NO. 1
CALAVERAS COUNTY, CALIFORNIA
WATER DETAILS

DATE	2-10-08
SHEET	W-1
SCALE	NOTED
FILE NO.	D-3345



SCALE: 1" = 100'



NOTE:

1. NEW WATER LINE SHALL BE 8" ANWAC 900 CLASS 150 PVC
2. FOR WATER LINE INSTALLATION DETAILS SEE SHEET W-4 + W-6 WALLACE LAKE ESTATES UNIT NO. 1. (W.A.I. FILE NO. D-3345)
3. FOR SEWER LINE INSTALLATION DETAILS SEE SHEETS S-7 + S-8 W.I.E. UNIT NO. 1. (W.A.I. FILE NO. D-3345)

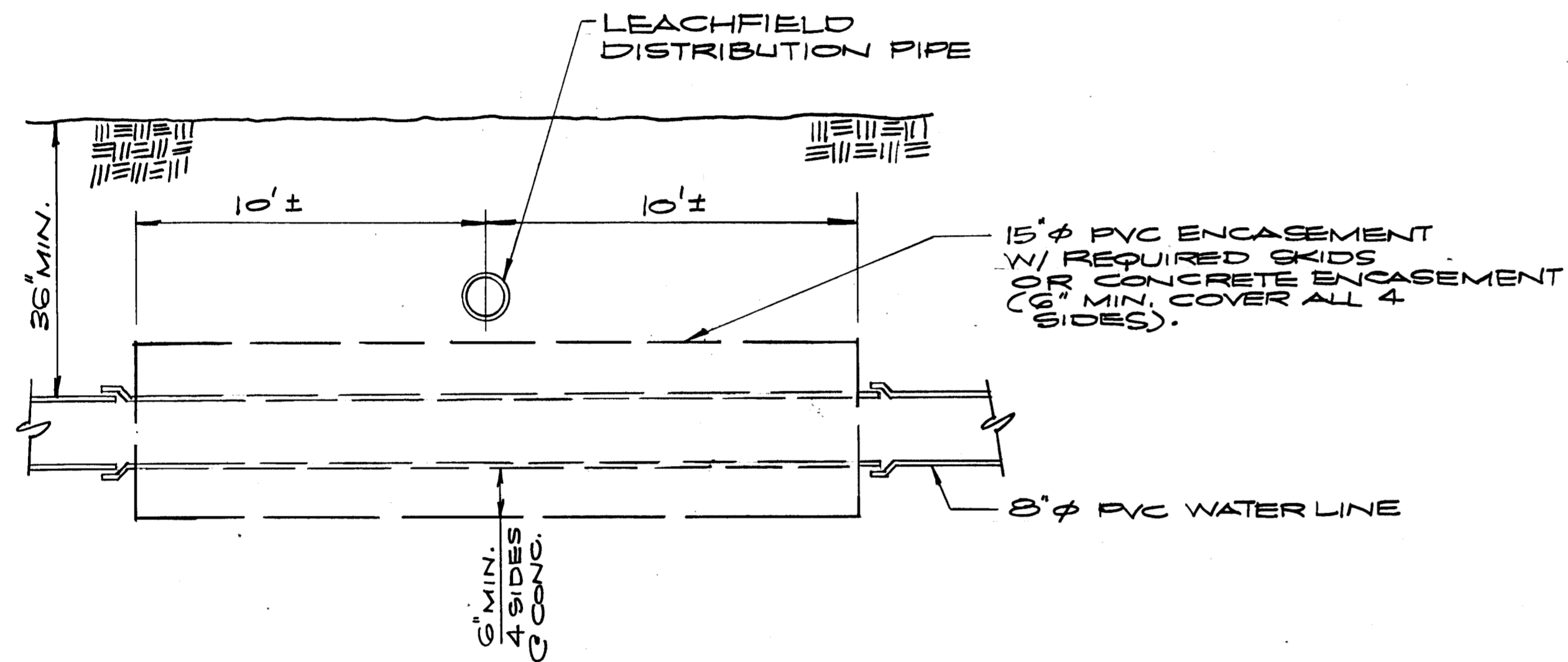
PREPARED BY: _____
 DRAWN BY: GR CHECKED: _____
 SUBMITTED BY: EUGENE WEATHERBY C. E. NO. 14774
 LIC. EXP. 3/31/93

REVISION	DATE	DESCRIPTION	BY	APPD.
1	4-23-91	REVISE DETAILS	GR	
2	4-8-91	WATER REV. @ ELMORE'S	GR	
3	2-27-91	WATER REV. @ BERRY'S	GR	

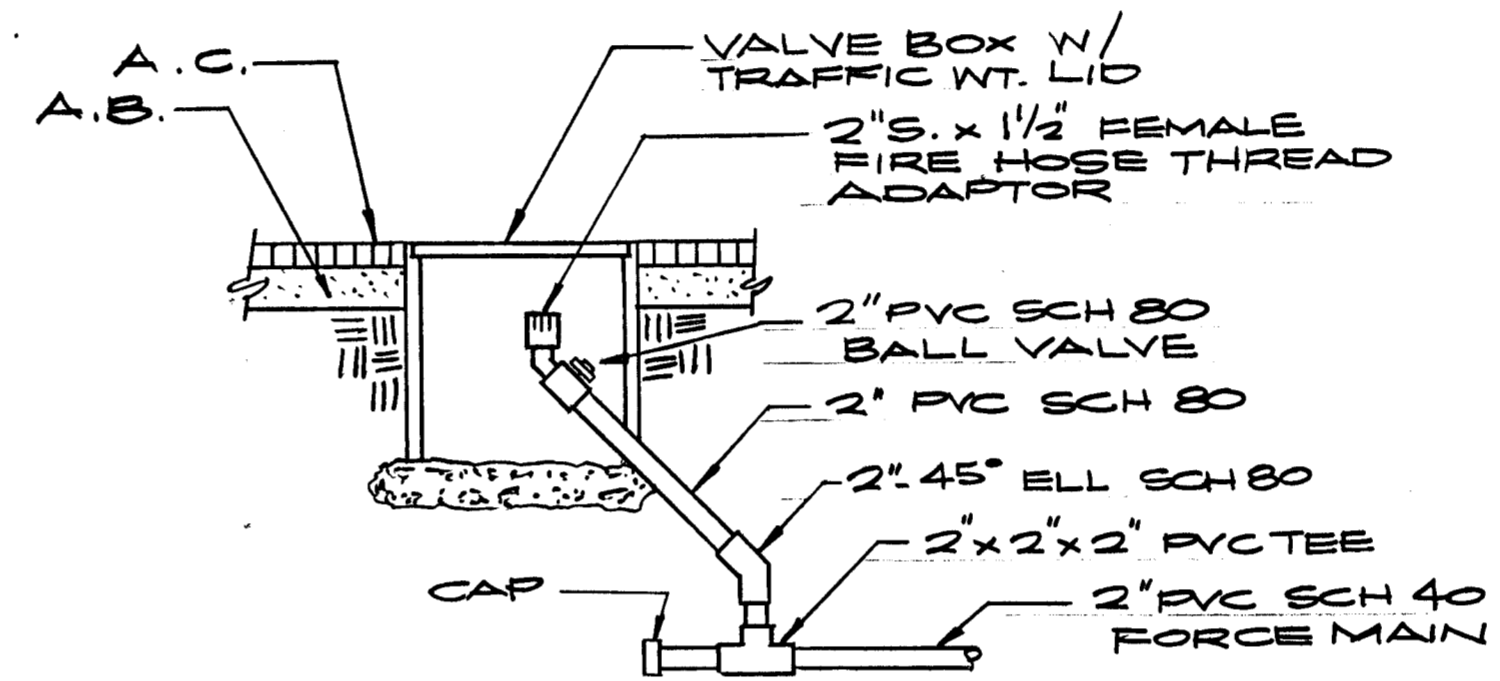
WEATHERBY ASSOCIATES INC.
 ENGINEERING - SURVEYING - PLANNING
 206 Peek Street, Jackson, CA. 95642
 209-223-0381 209-714-1137

WALLACE COMMUNITY SERVICES DISTRICT
 WATER & SEWER LINE EXTENSION
 THRU
 TOWNSITE OF WALLACE, CALAVERAS COUNTY

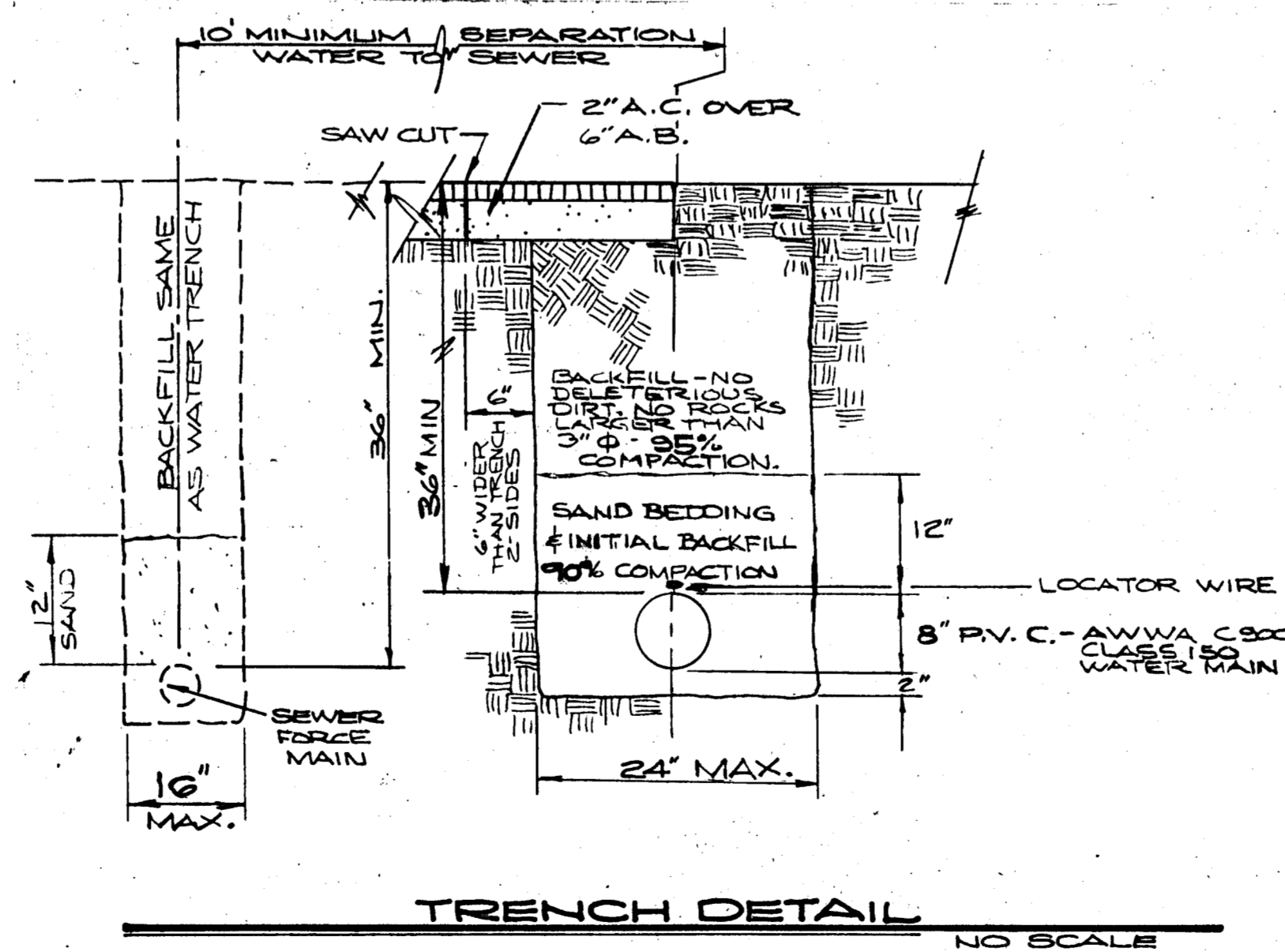
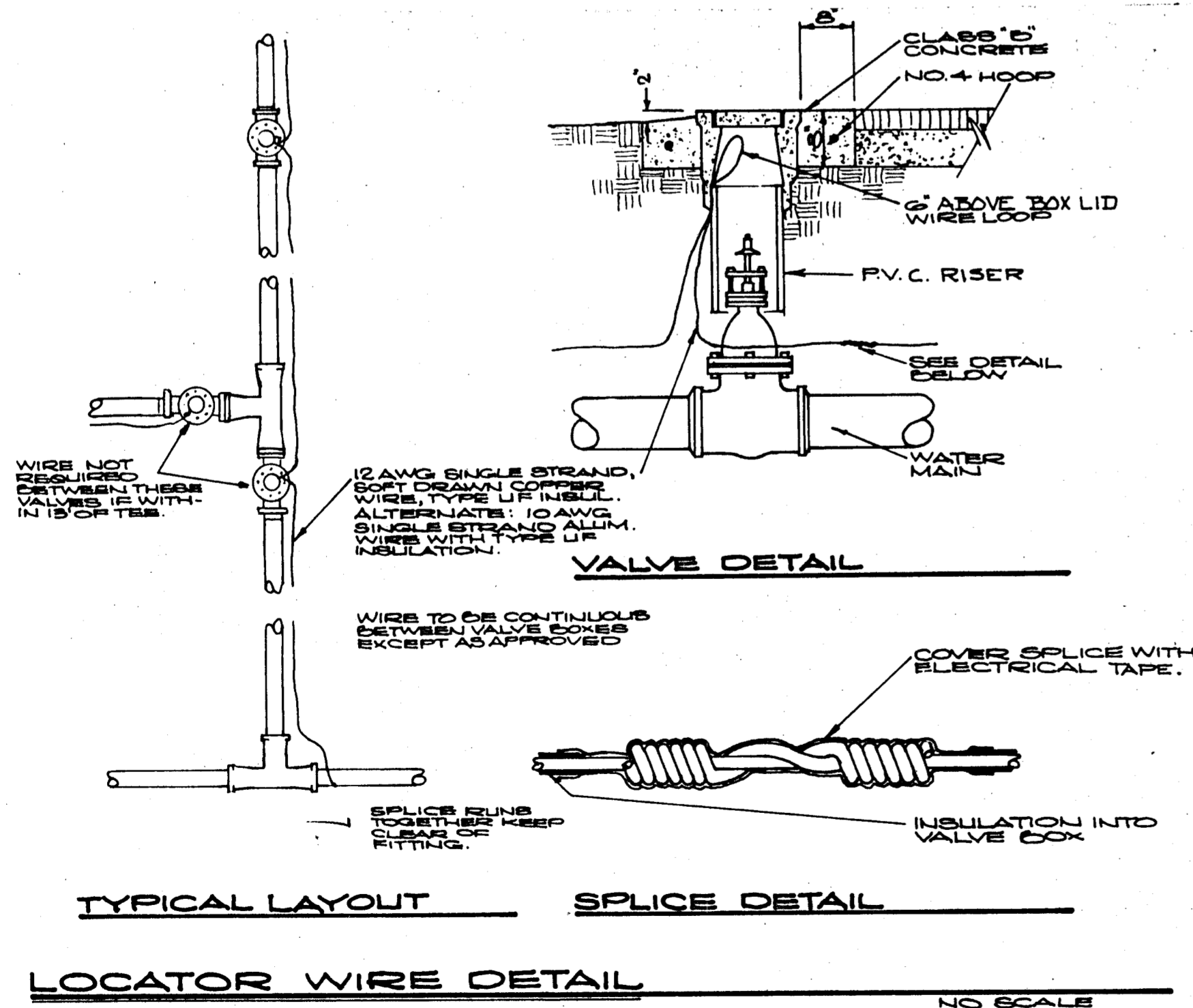
WALLACE LAKE ESTATES
 SCALE: AS NOTED
 FILE NO. D-3345
 DATE: 1-23-91
 SHEET: W-5
 OF 6



PIPELINE CROSSING AT ELMORE PROPERTY
TOWNSITE OF WALLACE NO SCALE



FLUSHING INLET (CLEANOUT)
NO SCALE



THRUST BLOCK
SCHEDULE

(BEARING AREA IN SQ. FT.)

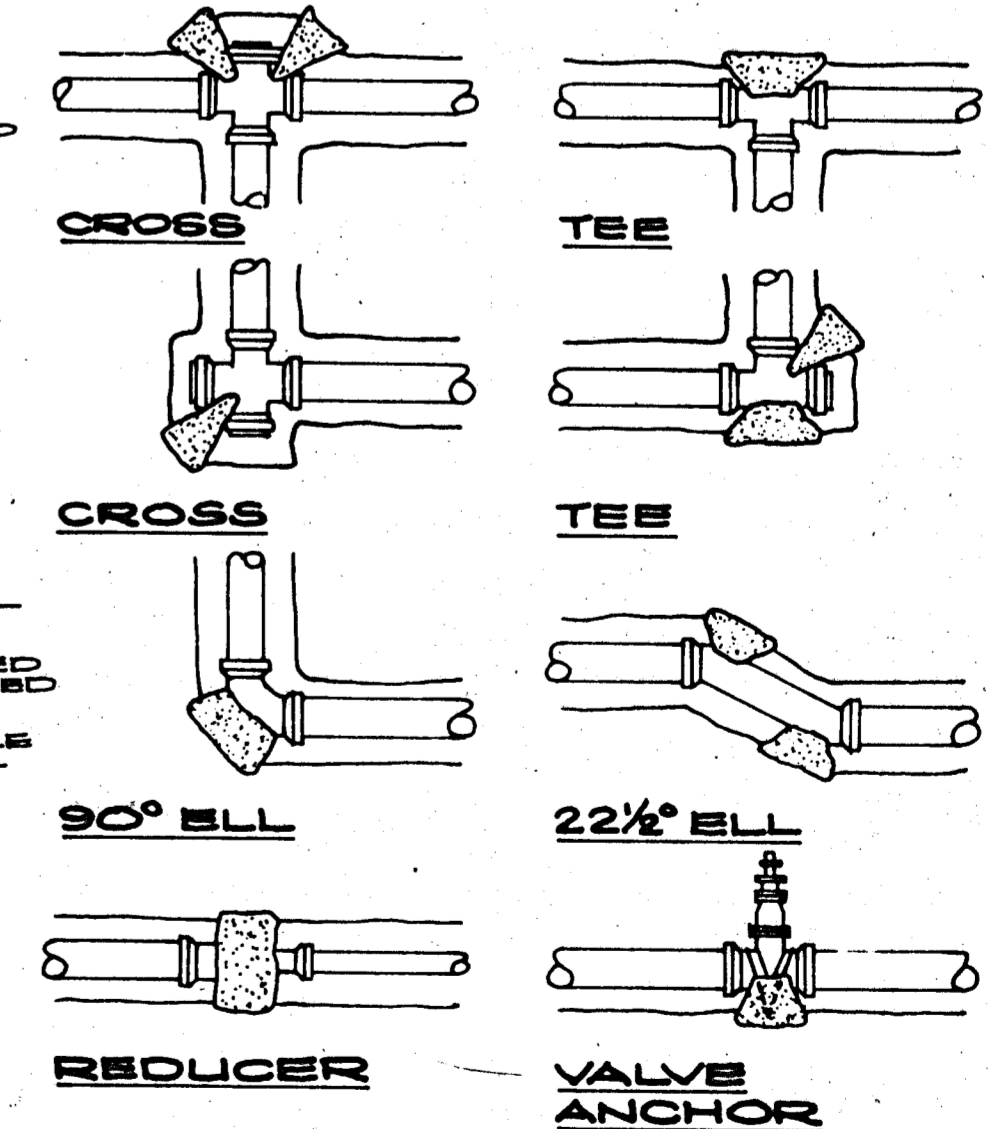
PIPE SIZE	90° ELL	45° ELL	TEE OR DEAD END
1 1/2"	.3	.2	.2
2"	.5	.3	.4
2 1/2"	.7	.4	.5
3"	1.1	.6	.8
4"	1.8	1.0	1.3
6"	4.0	2.1	2.8
8"	7.0	4.0	5.0
10"	12.0	6.0	8.0

NOTES:

ALL THRUST BLOCKS TO BE SOLICED AGAINST UNDISTURBED SOIL. CONCRETE SHALL BE PLACED BEHIND CELLS OF FITTINGS.

BEARING AREA SHOWN IN TABLE ARE BASED ON ALLOWABLE SOIL PRESSURE OF 1500 P.S.F.

BASED ON 120 P.S.I. WATER PRESSURE.



THRUST BLOCK DETAILS

DIETRICH POST NUMBER NO. 10214

DRAWN BY: R.S. CHECKED

SUBMITTED BY: C. E. NO. 14774
EXP. 3/21/93

REVISION	DATE	DESCRIPTION	BY	APPD.
1	8-9-88	CHG CHNG'S - DETAIL	RM	
2	4-18-91	ADD DETAILS	GR	
3	4-23-91	REVISE DETAILS	GR	

WEATHERBY ASSOCIATES INC.
ENGINEERING - SURVEYING - PLANNING
206 Peek Street, Jackson, CA. 95642
209-223-0381 209-754-1137

WALLACE COMMUNITY SERVICES DISTRICT
WATER & SEWER LINE EXTENSION DETAILS
THRU
TOWNSITE OF WALLACE, CALAVERAS COUNTY

WALLACE
LAKE ESTATES
SCALE:
NOTED
FILE NO. D-3345

DATE
2-18-88
SHEET
W-6
OF 6