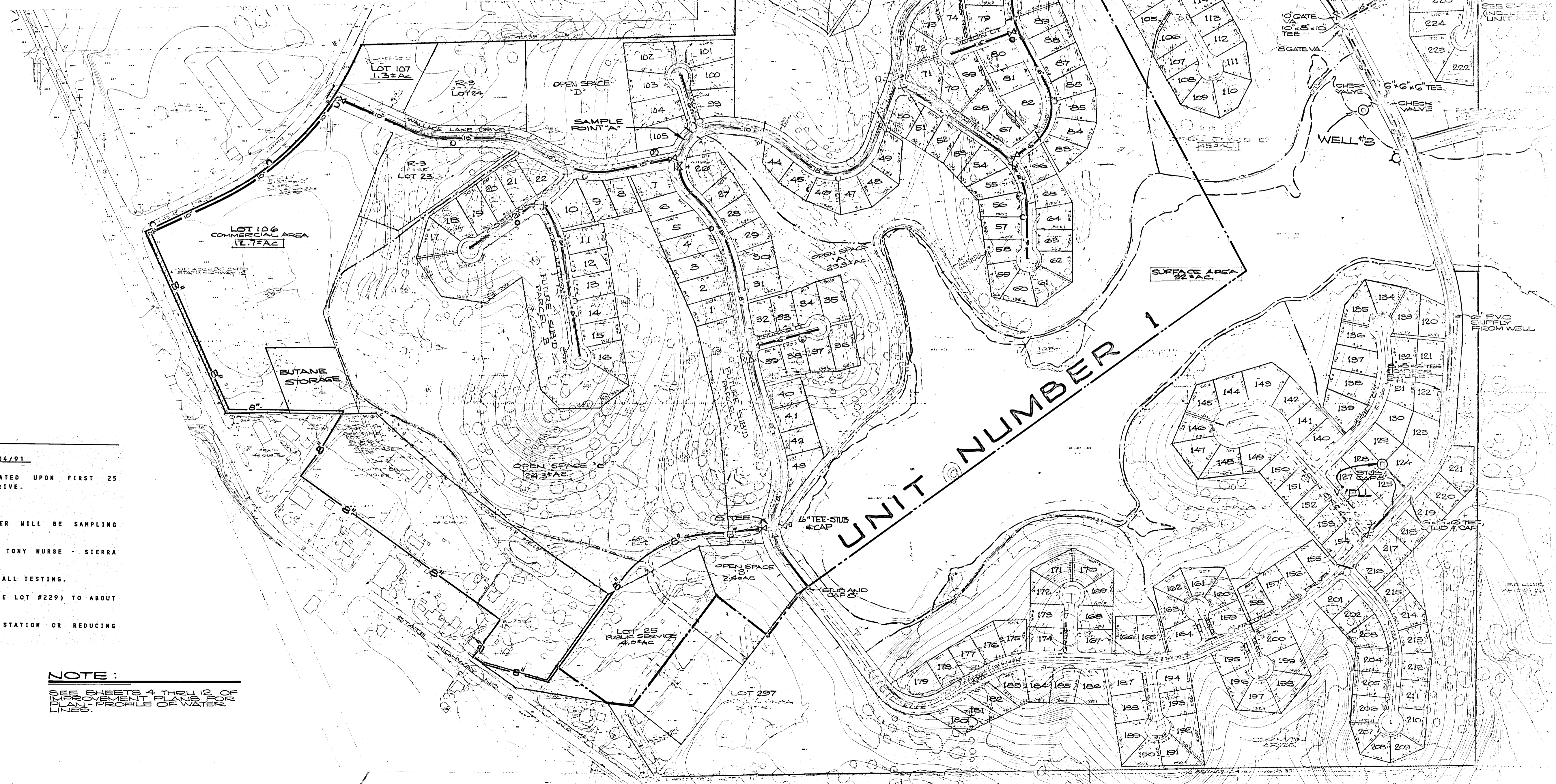


OVERALL SYSTEM SCHEMATIC  
NO SCALE

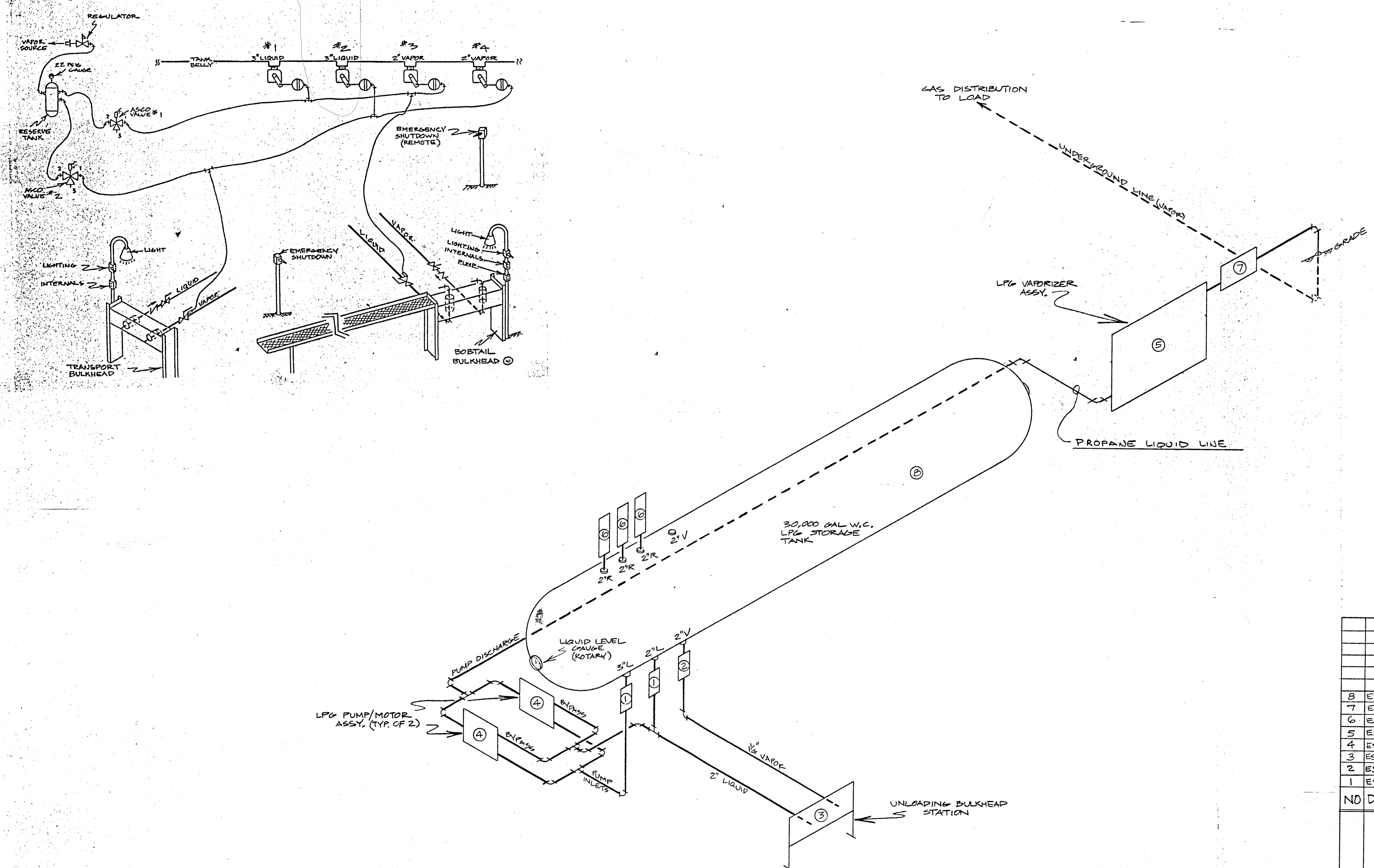


- NOTES:
1. CURRENT CUSTOMERS: -0- 06/04/91
  2. SAMPLE POINT A WILL BE ACTIVATED UPON FIRST 25 CUSTOMERS. LOT 105 WALLACE LAKE DRIVE.
  3. TESTING WILL BE MONTHLY.
  4. EUGENE WEATHERBY - CIVIL ENGINEER WILL BE SAMPLING INITIALLY.
  5. STANDBY SAMPLING WILL BE DONE BY TONY NURSE - SIERRA FOOTHILL LABORATORY.
  6. SIERRA FOOTHILL LABORATORY WILL DO ALL TESTING.
  7. PRESSURE VARIES FROM 35 PSI (FUTURE LOT #229) TO ABOUT 90 PSI (DOWNTOWN WALLACE).
  8. THERE ARE NO PRESSURE BOOSTING STATION OR REDUCING STATIONS.

NOTE:  
SEE SHEETS A THRU I2 FOR OVERLAP PLANS FOR LINES, PROFILE OF WATER LINES.

UNIT NUMBER 1

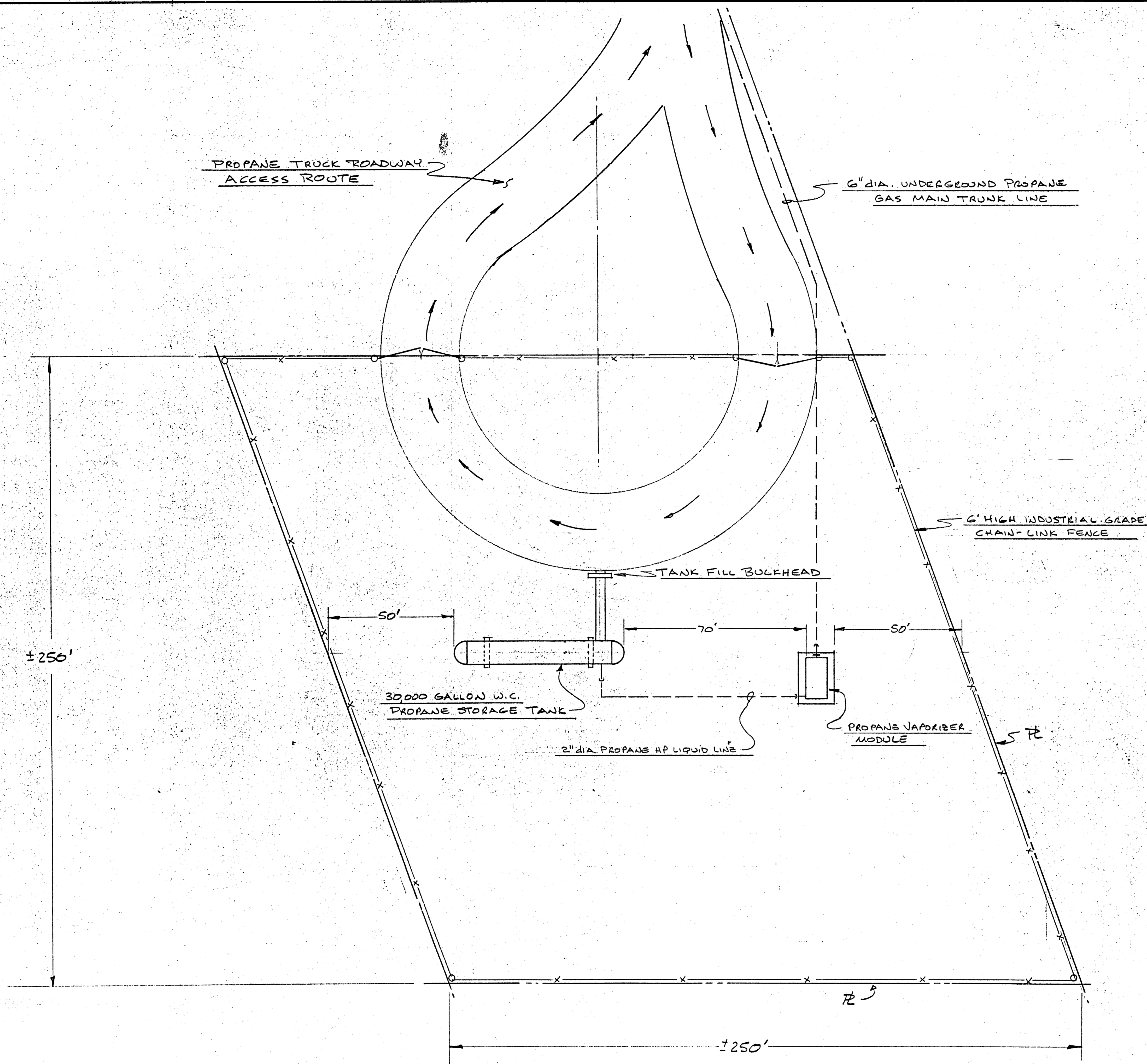




| NO | DATE     | REVISION                           | BY |
|----|----------|------------------------------------|----|
| 8  | ES-T-007 | TANK TRIM FITTINGS                 |    |
| 7  | ES-R-004 | FISHER 1098/1098R REGULATOR MODULE |    |
| 6  | ES-T-012 | TANK TRIM-3' RELIEF STACK          |    |
| 5  | ES-V-005 | VAPORIZER MODULE                   |    |
| 4  | ES-P-002 | VAPORIZER PUMP MODULE              |    |
| 3  | ES-B-001 | UNLOADING BULKHEAD                 |    |
| 2  | ES-T-003 | 1/4" TANK TRIM 1/4" INTERNAL VALVE |    |
| 1  | ES-T-002 | 2" TANK TRIM 1/2" INTERNAL VALVE   |    |
| NO | DWG. NO. | COMPONENT                          |    |

| NO  | DATE         | REVISION      | BY                          |
|---|--------------|---------------|-----------------------------|
| GAS SYSTEMS ENGINEERING - BAEI<br>GERBER RD. P.O. BOX 28215 SACTO, CA 95828 |              |               |                             |
| SCALE: NONE   | APPROVED BY: | DRAWN BY L.K. |                             |
| DATE: 19-89   |              | REVISED RC    |                             |
| STANDARD CONCEPT PLAN<br>PROPANE STORAGE & VAPORIZATION FACILITY            |              |               |                             |
| LPG SYSTEM PIPING CONCEPT   |              |               | DRAWING NUMBER<br>GSE-0032- |

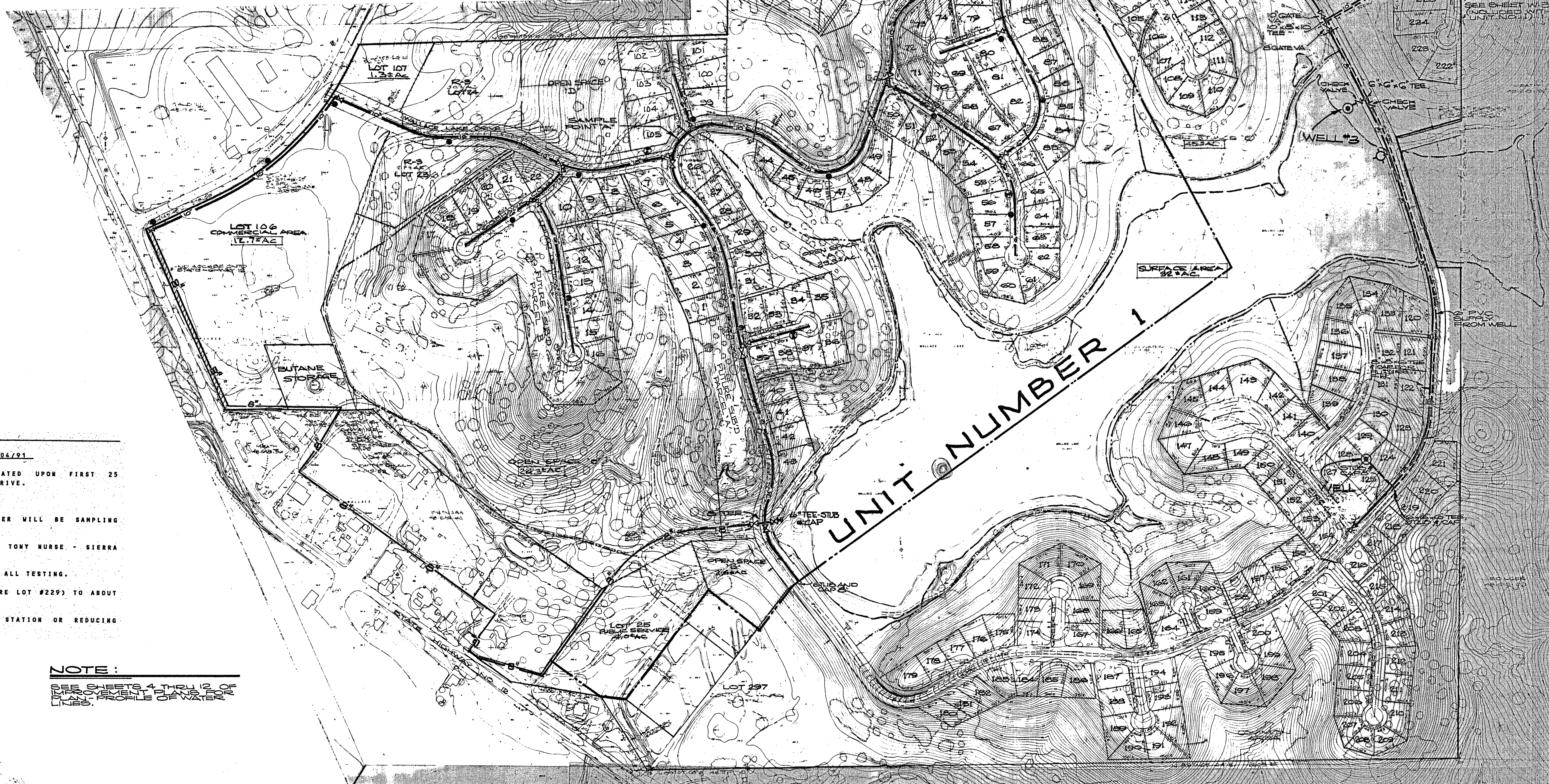
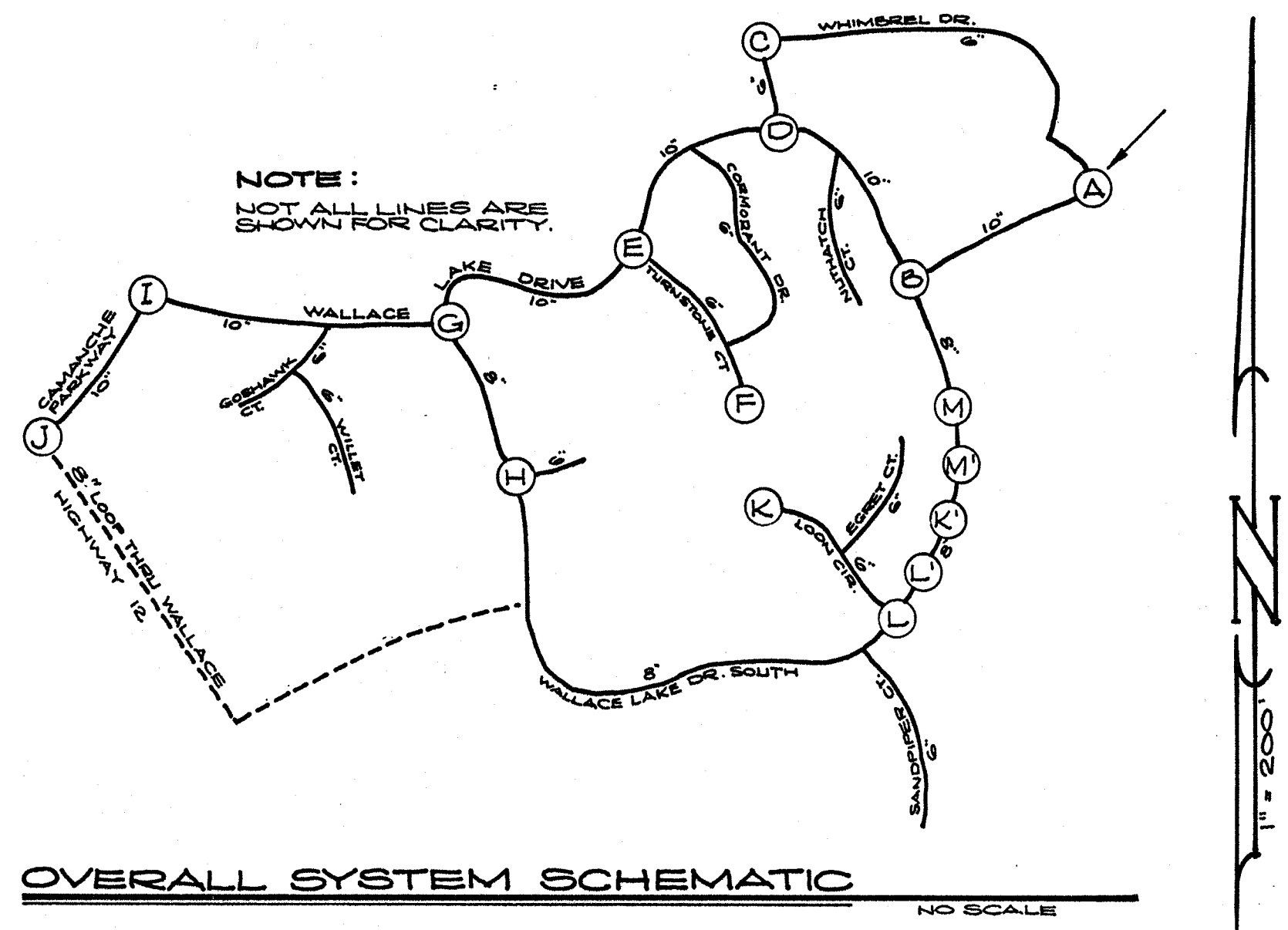
D-3546-A



|   |              |           |          |
|---|--------------|-----------|----------|
| GAS SYSTEMS ENGINEERING                     |              |           |          |
| 8401 GERBER RD. SACRAMENTO, CA 95828        |              |           |          |
| SCALE: 1" = 20'-0"                          | APPROVED BY: | DRAWN BY: |          |
| DATE: 7-11-90                               |              | REVISED:  |          |
| WALLACE LAKE ESTATES                        |              |           |          |
| PROPANE GAS STORAGE & VAPORIZATION FACILITY |              |           |          |
| PLOT PLAN - AERIAL VIEW                     |              |           |          |
| DRAWN BY: E                                 |              |           | REVISED: |

D-3546-A





- NOTES:
- CURRENT CUSTOMERS: -0- 06/04/91
  - SAMPLE POINT A WILL BE ACTIVATED UPON FIRST 25 CUSTOMERS. LOT 105 WALLACE LAKE DRIVE.
  - TESTING WILL BE MONTHLY.
  - EUGENE WEATHERBY - CIVIL ENGINEER WILL BE SAMPLING INITIALLY.
  - STANDBY SAMPLING WILL BE DONE BY TONY NURSE - SIERRA FOOTHILL LABORATORY.
  - SIERRA FOOTHILL LABORATORY WILL DO ALL TESTING.
  - PRESSURE VARIES FROM 35 PSI (FUTURE LOT #229) TO ABOUT 90 PSI (DOWNTOWN WALLACE).
  - THERE ARE NO PRESSURE BOOSTING STATION OR REDUCING STATIONS.

NOTE:  
FOR ALL LOTS A MINIMUM OF 10' OF OPEN SPACE SHALL BE MAINTAINED AT ALL TIMES.

|                     |                 |             |    |       |
|---------------------|-----------------|-------------|----|-------|
| DRAWN BY: _____     | CHECKED _____   |             |    |       |
| SUBMITTED BY: _____ | C. E. NO. 14772 |             |    |       |
| EXPIRES 3/31/93     |                 |             |    |       |
| REVISION            | DATE            | DESCRIPTION | BY | APPD. |
|                     |                 |             |    |       |

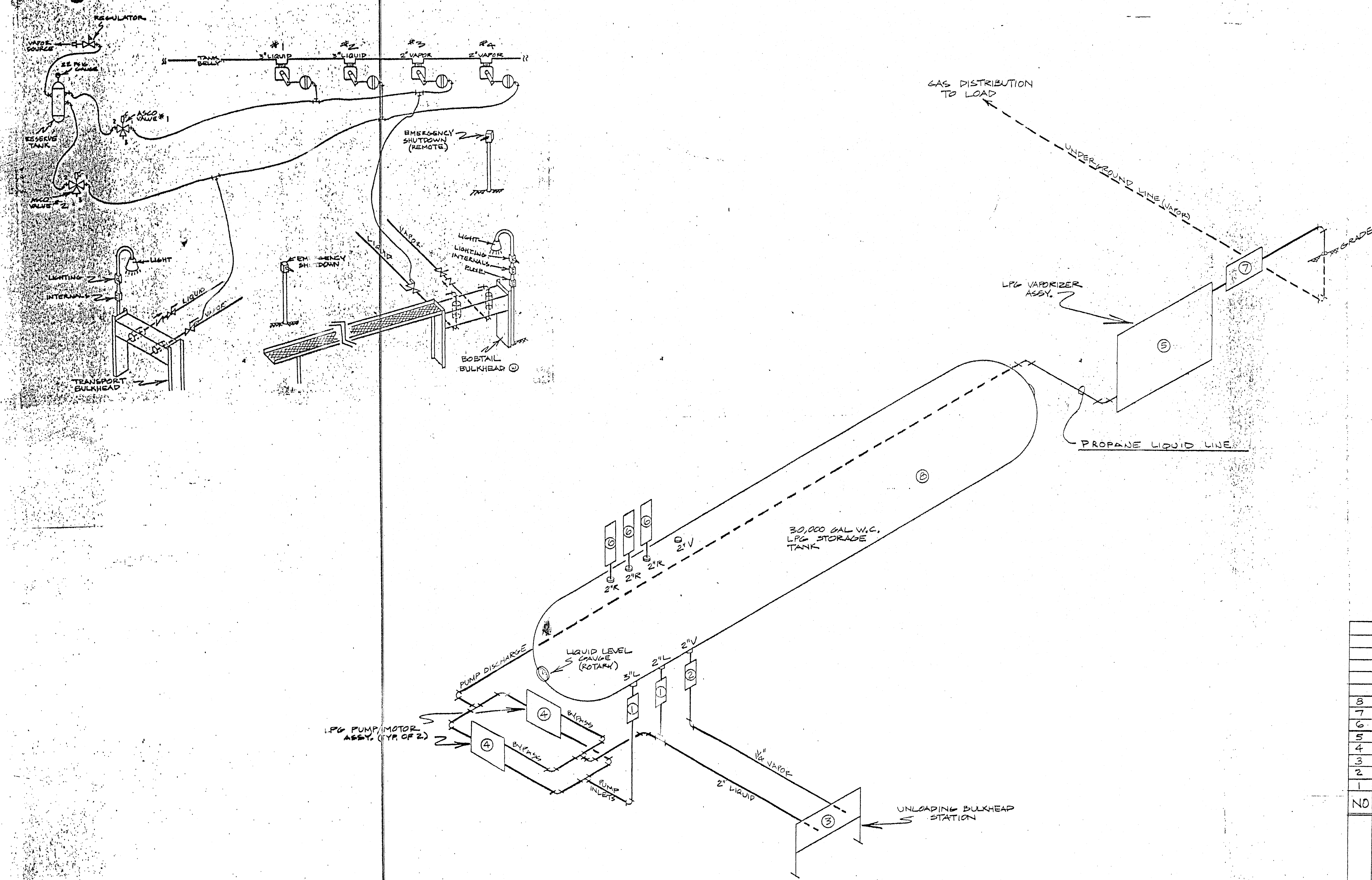
**WEATHERBY/REYNOLDS**  
CONSULTING CIVIL ENGINEERS  
206 Peek Street, Jackson, CA. 95642  
209-223-0381 209-754-1137

**WALLACE LAKE ESTATES**  
BACTERIOLOGICAL SAMPLE SITING PLAN  
SYSTEM # (S) - 05019  
CALAVERAS COUNTY CALIFORNIA

|                        |
|------------------------|
| DATE<br>6/6/91         |
| SHEET<br>1             |
| SCALE:<br>1" = 200'    |
| FILE NO. <b>D-3345</b> |
| OF 1                   |

DIETRICH-POST REORDER NO. 103118



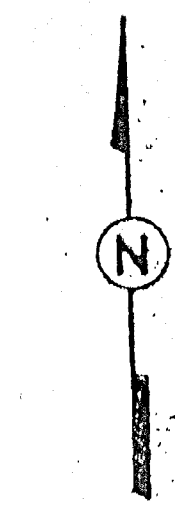
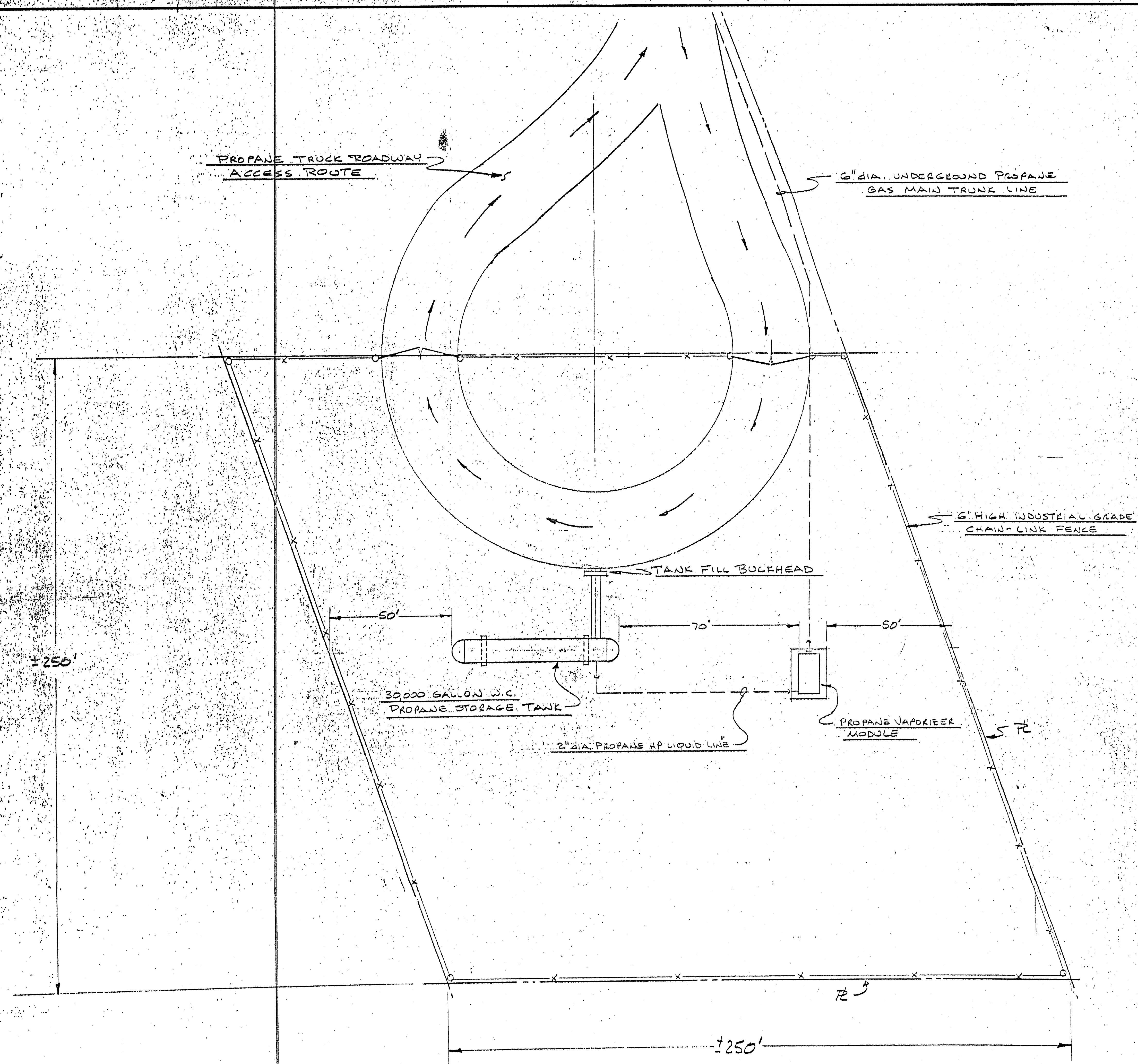


| NO          | DATE | REVISION                                    | BY |
|-------------|------|---|----|
| 8           |      | ES-T-007 TANK TRIM FITTINGS                 |    |
| 7           |      | ES-R-004 FISHER 1098/1098R REGULATOR MODULE |    |
| 6           |      | ES-T-012 TANK TRIM - 3" RELIEF STACK        |    |
| 5           |      | ES-V-005 VAPORIZER MODULE                   |    |
| 4           |      | ES-P-002 VAPORIZER PUMP MODULE              |    |
| 3           |      | ES-B-001 UNLOADING BULKHEAD                 |    |
| 2           |      | ES-T-003 1/4" TANK TRIM 1/4" INTERNAL VALVE |    |
| 1           |      | ES-T-002 2" TANK TRIM 1/2" INTERNAL VALVE   |    |
| NO DWG. NO. |      | COMPONENT                                   |    |

| NO  | DATE         | REVISION      | BY                          |
|---|--------------|---------------|-----------------------------|
|   |              |               |                             |
| GAS SYSTEMS ENGINEERING - BAEI<br>GERBER RD. P.O. BOX 28215 SACTO, CA 95828 |              |               |                             |
| SCALE: NONE   | APPROVED BY: | DRAWN BY L.K. |                             |
| DATE: 9-19-89   |              | REVISED RC    |                             |
| STANDARD CONCEPT PLAN<br>PROPANE STORAGE & VAPORIZATION FACILITY            |              |               |                             |
| LPG SYSTEM PIPING CONCEPT   |              |               | DRAWING NUMBER<br>GSE-0032- |

D-3546-A





|   |                             |
|---|-----------------------------|
| GAS SYSTEMS ENGINEERING<br>8401 GERBER RD. SACRAMENTO, CA 95828     |                             |
| SCALE: 1" = 20'-0"  | APPROVED BY:                |
| DATE: 7-11-90   | DRAWN BY L.K.<br>REVISED RC |
| WALLACE LAKE ESTATES<br>PROPANE GAS STORAGE (VAPORIZATION) FACILITY |                             |
| PLOT PLAN - AERIAL VIEW   | DRAWING NUMBER<br>E-71      |