

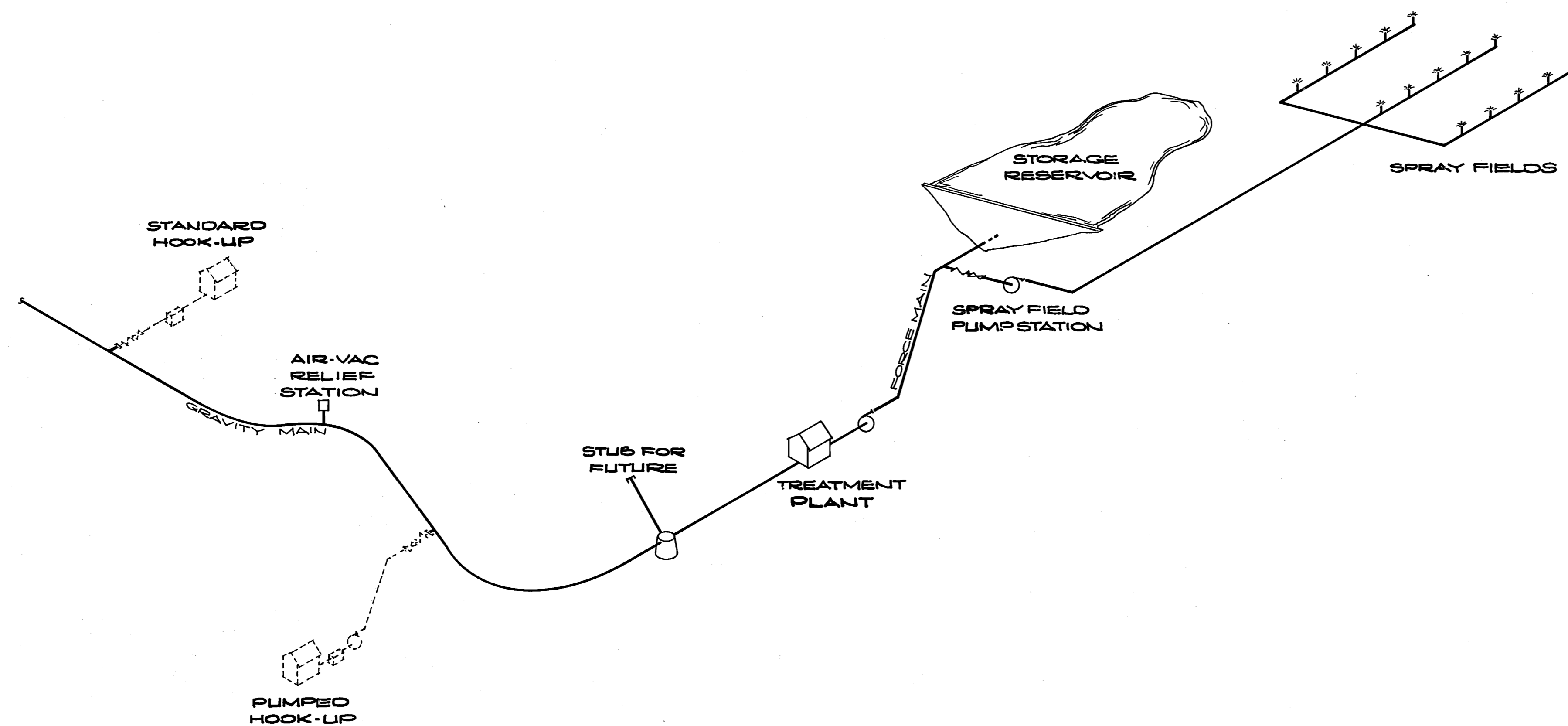
WALLACE LAKE ESTATES

UNIT NO. 1

SEWER IMPROVEMENTS

INDEX OF SHEETS

- S-1 COVER SHEET & SEWER SCHEMATIC
 - S-2 SEWER MASTER PLAN
 - S-3 SEWER PROFILES
 - S-4 SEWER PROFILES
 - S-5 SEWER TREATMENT AREA
 - S-6 STORAGE RESERVOIR & SPRAY FIELD
 - S-7 SEWER DETAILS
 - S-8 SEWER DETAILS
- TREATMENT & PUMP STATION UNDER SEPARATE COVER



SEWER SYSTEM SCHEMATIC

NO SCALE

DIENERICH POST REORDER NO. 10318

DRAWN BY: R.S. CHECKED: [Signature]
 SUBMITTED BY: [Signature] E. NO. 14714
 EXPIRES: 3/31/89

REVISION	DATE	DESCRIPTION	BY	APPD.

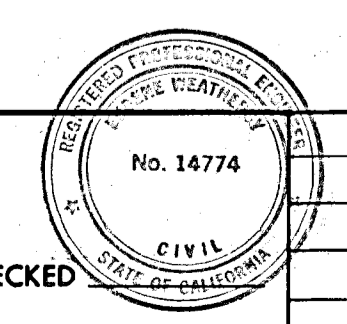
WEATHERBY ASSOCIATES INC.
 ENGINEERING - SURVEYING - PLANNING
 206 Peek Street, Jackson, CA. 95642
 209-223-0381 209-714-1137

WALLACE LAKE ESTATES
 UNIT NO. 1
 CALAVERAS COUNTY, CALIFORNIA
 SEWER SYSTEM SCHEMATIC

SCALE: NONE	DATE 2-18-88
FILE NO. <u>D-3345</u>	SHEET S-1
	OF 8



DIETZSCH POST REORDER NO. 10218



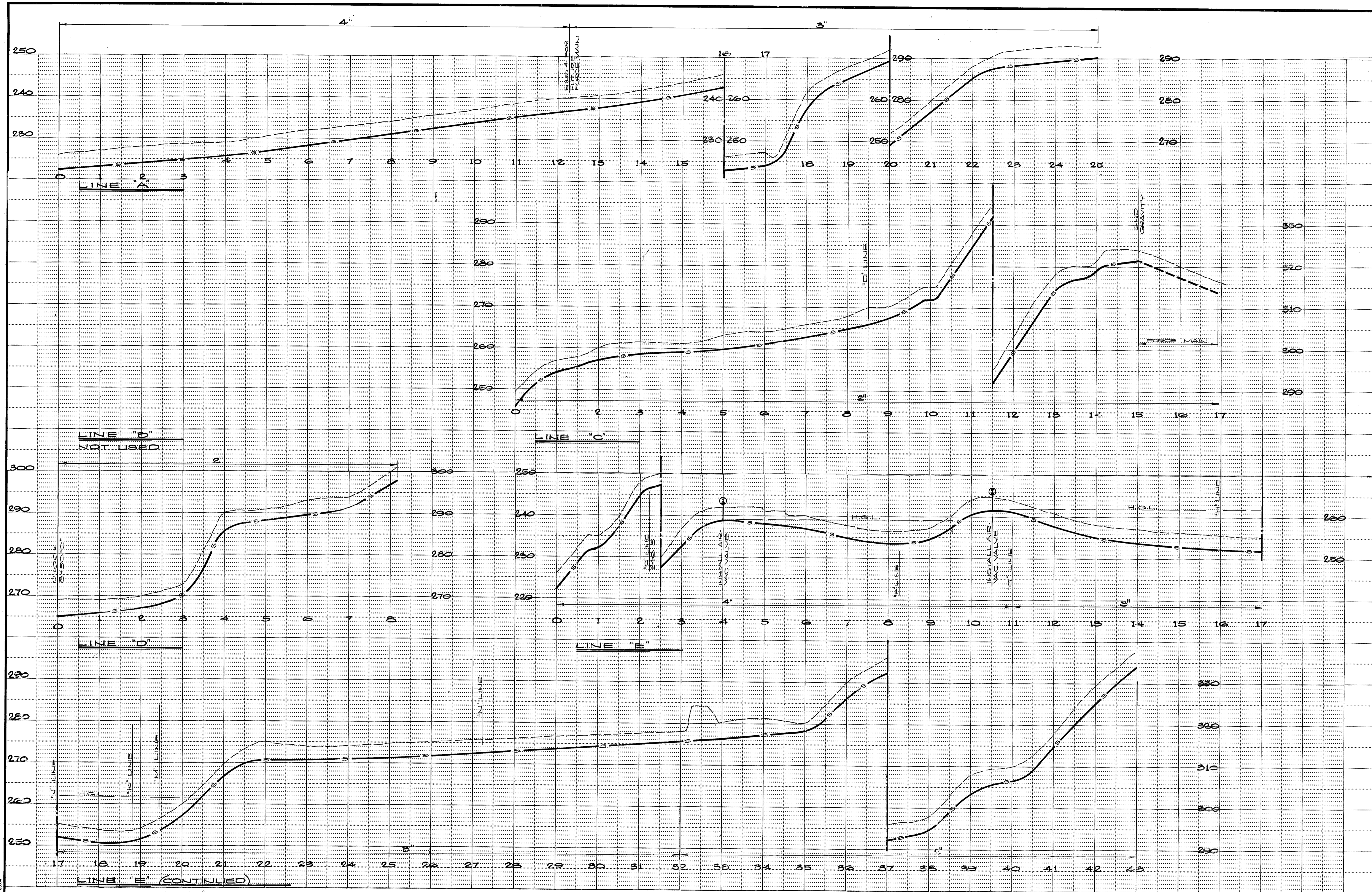
DRAWN BY: RS CHECKED: _____
 SUBMITTED BY: [Signature] C.E. NO. 14774 EXPIRES 3-31-89

REVISION	DATE	DESCRIPTION	BY	APPD.

WEATHERBY ASSOCIATES INC.
 ENGINEERING - SURVEYING - PLANNING
 206 Peek Street, Jackson, CA. 95642
 209-223-0381 209-714-1137

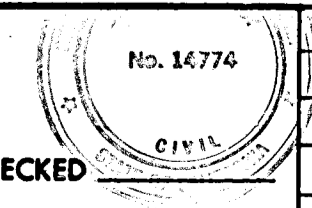
WALLACE LAKE ESTATES
UNIT NO. 1
 CALAVERAS COUNTY, CALIFORNIA
SEWER MASTER PLAN

DATE	2-18-88
SHEET	52
SCALE	1" = 200'
FILE NO.	0-3345
OF 5	



DIETRICH-POST REORDER NO. 8364

PREPARED BY: _____
 DRAWN BY: RS CHECKED: _____
 SUBMITTED BY: E. J. ... C. E. NO. 1474
 EXPIRES 3.31.83

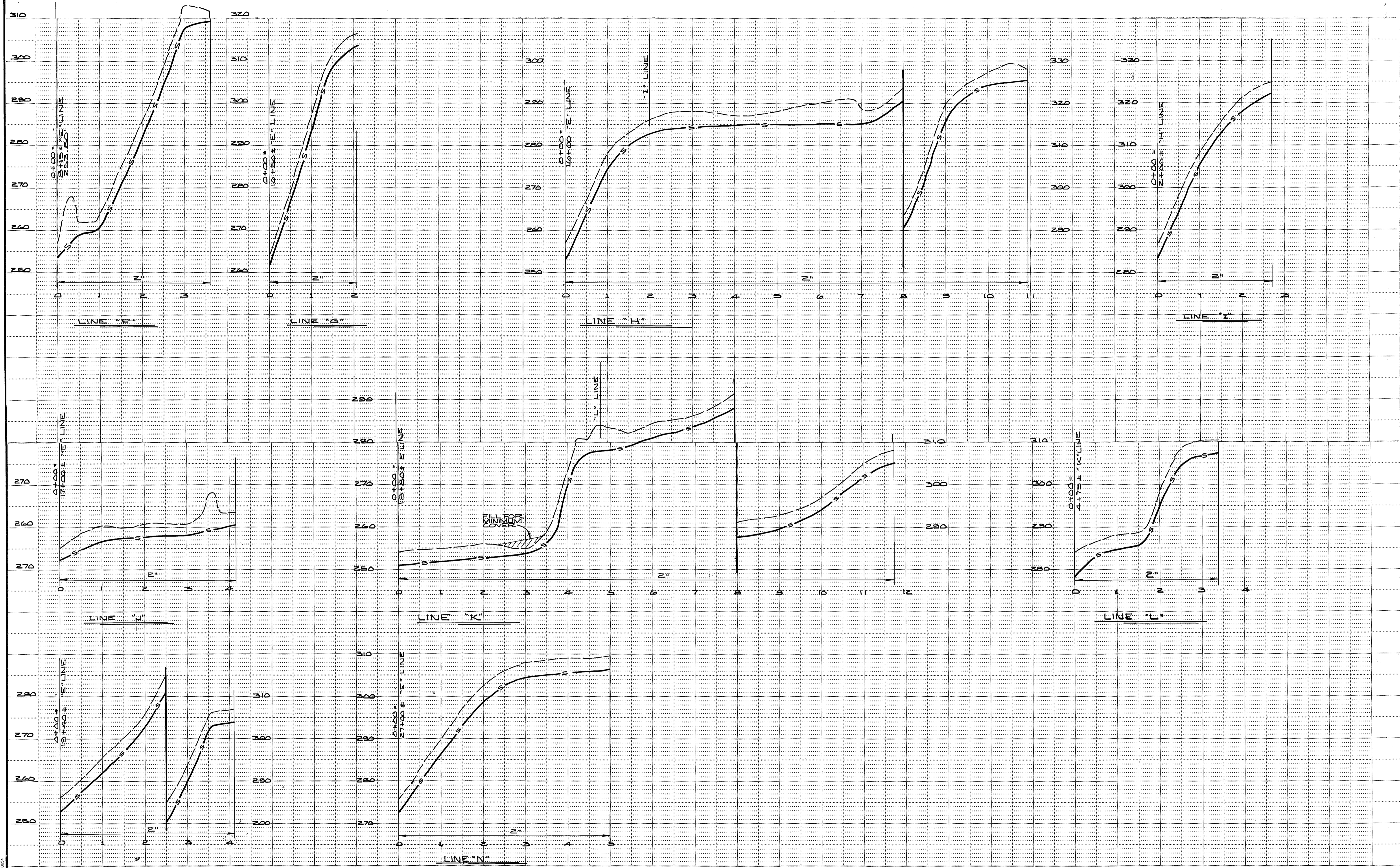


REVISION	DATE	DESCRIPTION	BY	APPD.

WEATHERDY ASSOCIATES INC.
 ENGINEERING - SURVEYING - PLANNING
 206 Peck Street, Jackson, CA. 95642
 209-223-0381 209-714-1137

WALLACE LAKE ESTATES
UNIT NO. 1
 CALAVERAS COUNTY, CALIFORNIA
SEWER PROFILES

DATE: 2-18-88
 SHEET: 55
 SCALE: 1"=100' HORIZ, 1"=10' VERT
 FILE NO. D-3845
 OF 3



DIETRICH-POST REORDER NO. 8354

PREPARED BY: _____

DRAWN BY: R.S. CHECKED _____

SUBMITTED BY: _____ C. E. NO. _____

REVISION	DATE	DESCRIPTION	BY	APPD.

WEATHERBY ASSOCIATES INC.
 ENGINEERING - SURVEYING - PLANNING
 206 Peek Street, Jackson, CA. 95642
 209-223-0381 209-754-1137

WALLACE LAKE ESTATES
 UNIT No 1
 CALAVERAS COUNTY, CALIFORNIA
SEWER PROFILES

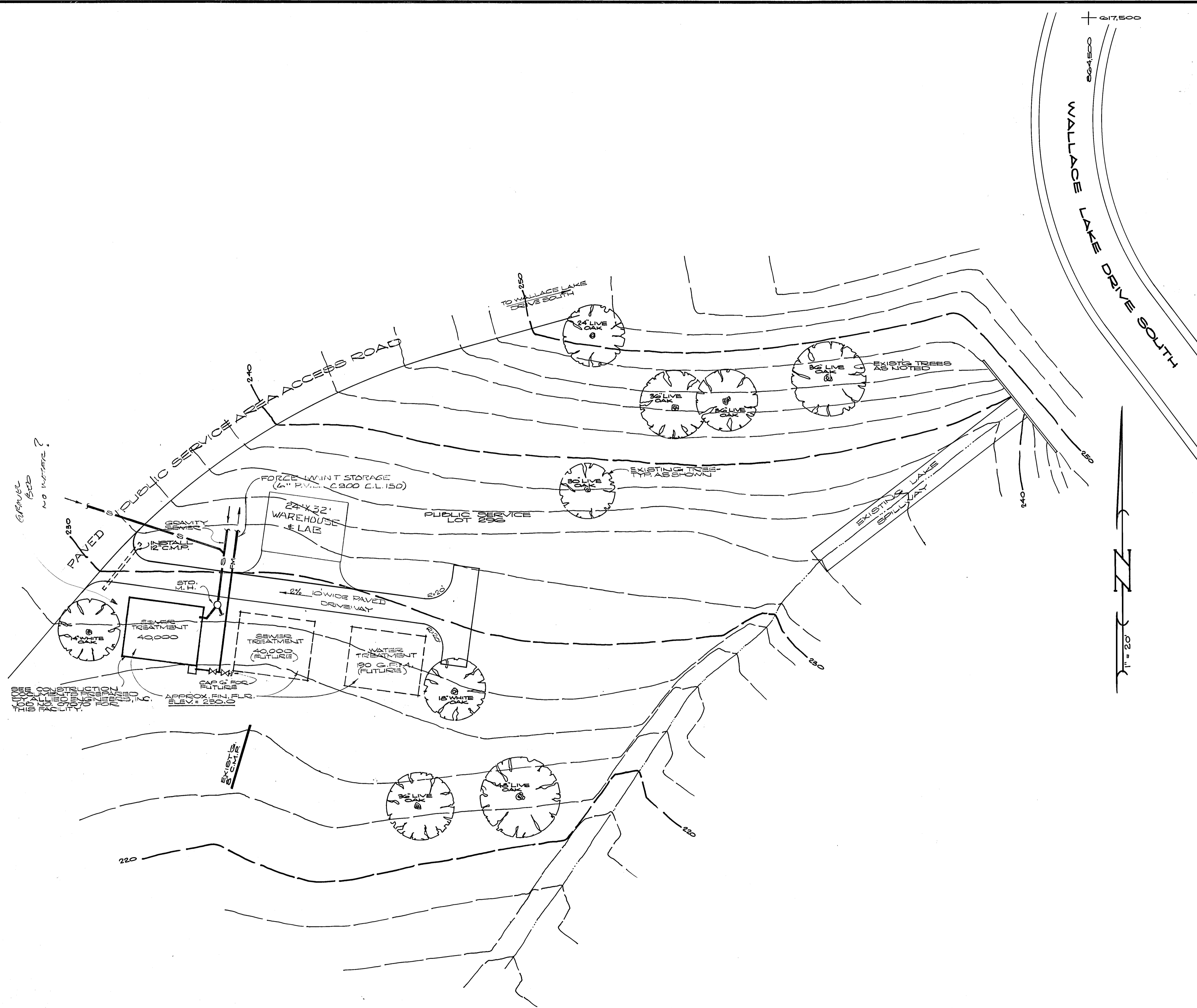
DATE: 2-18-88

SHEET: S-4

SCALE:
 1"=100' HORIZ
 1"=10' VERT

FILE NO. D-3345

OF 5



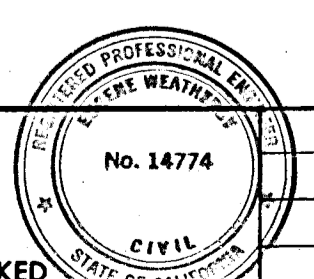
WAREHOUSE

1. OFFICE SPACE W/AC
2. WORKBENCH
3. SINK
4. METAL STORAGE RACKS & BINS.
5. LAB & EQUIPMENT TO RUN REGIONAL BOARD LAB TESTS.

PARTIAL SITE PLAN

1" = 20'

DIETRICH-POST REORDER NO. 10218



DRAWN BY: RS CHECKED: [Signature]
 SUBMITTED BY: [Signature] C. E. NO. 14774
 EXPIRES: 3-31-09

REVISION	DATE	DESCRIPTION	BY	APPD.

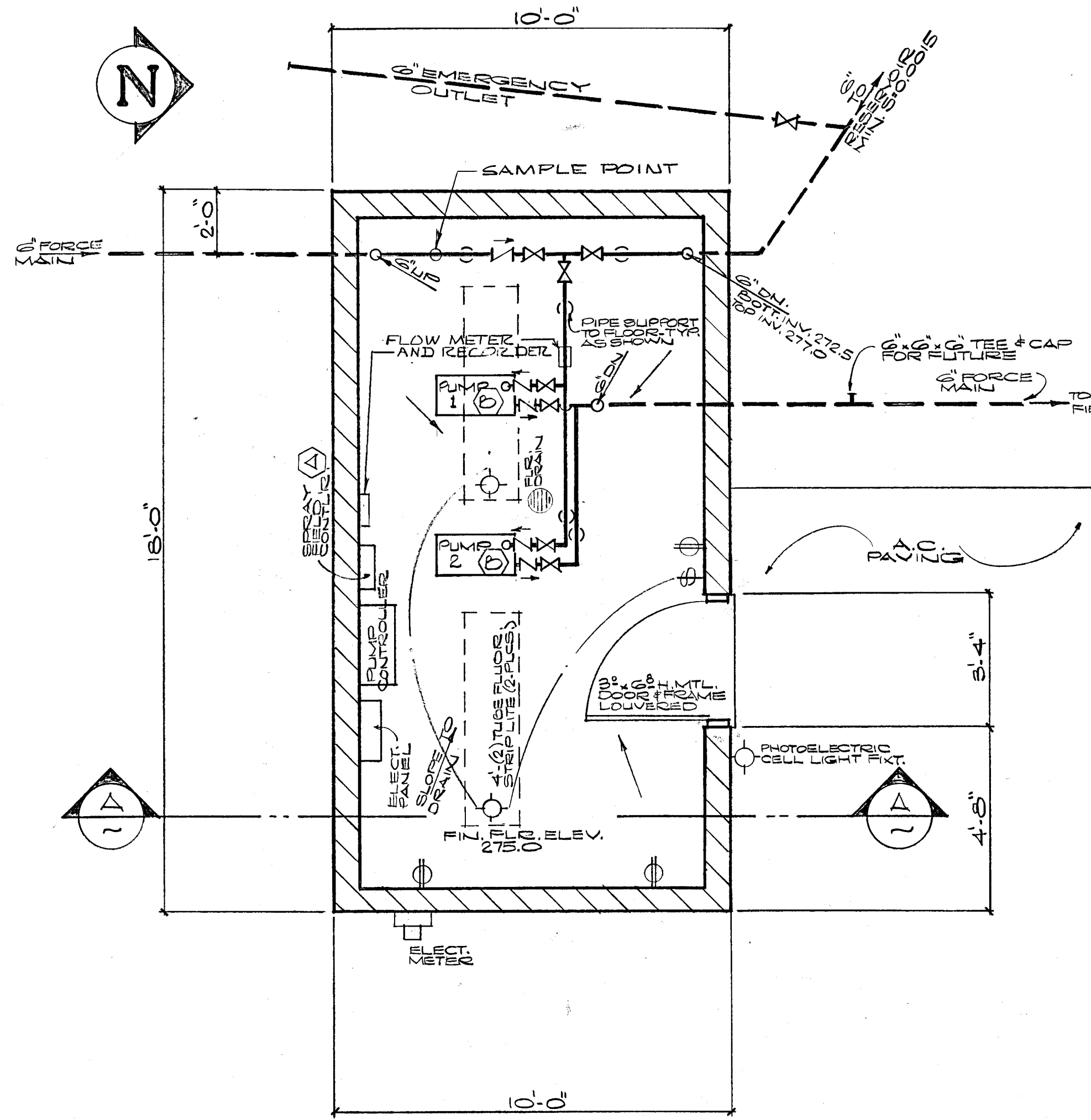
WEATHERBY ASSOCIATES INC.
 ENGINEERING - SURVEYING - PLANNING
 206 Peak Street, Jackson, CA. 95642
 209-223-0381 209-754-1137

**WALLACE LAKE ESTATES
 UNIT NO. 1**
 CALAVERAS COUNTY, CALIFORNIA
SEWER TREATMENT AREA

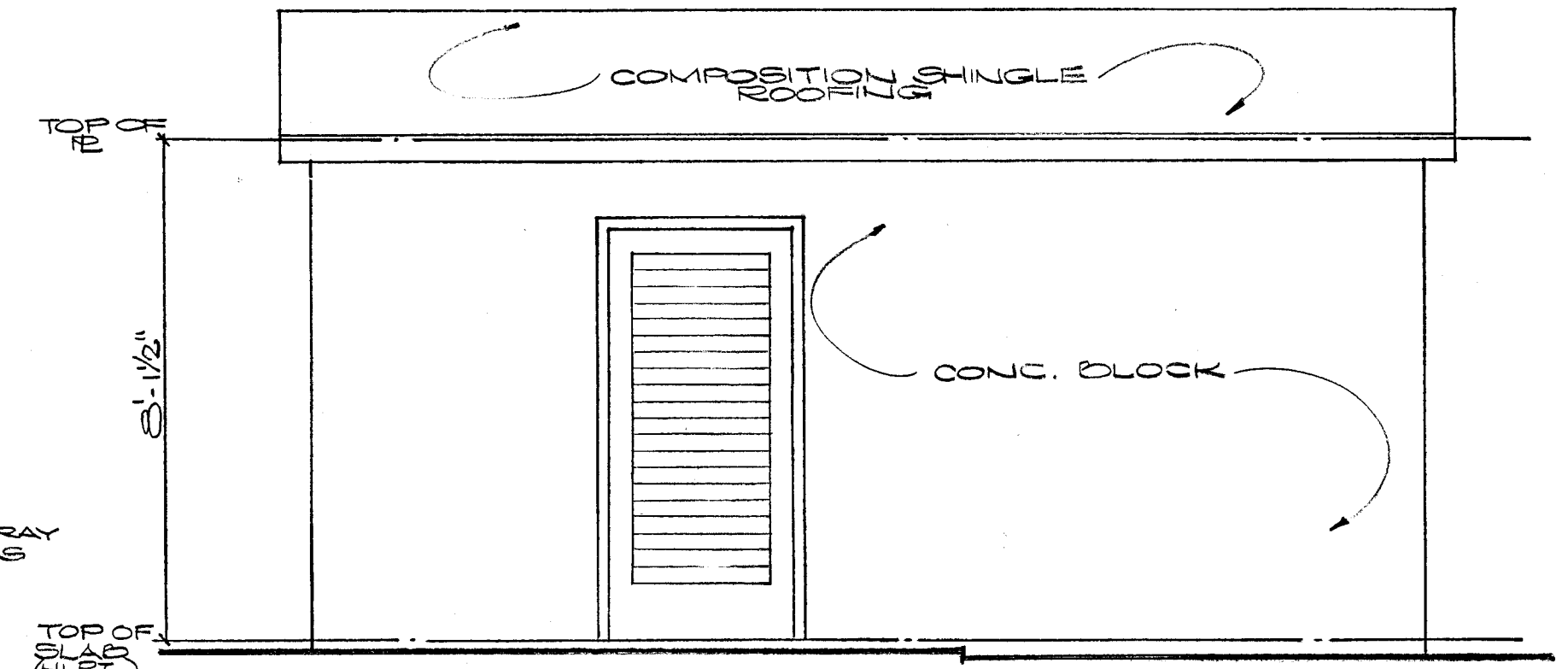
DATE	2-18-08
SHEET	55
SCALE	NOTED
FILE NO.	D-3345
OF 3	



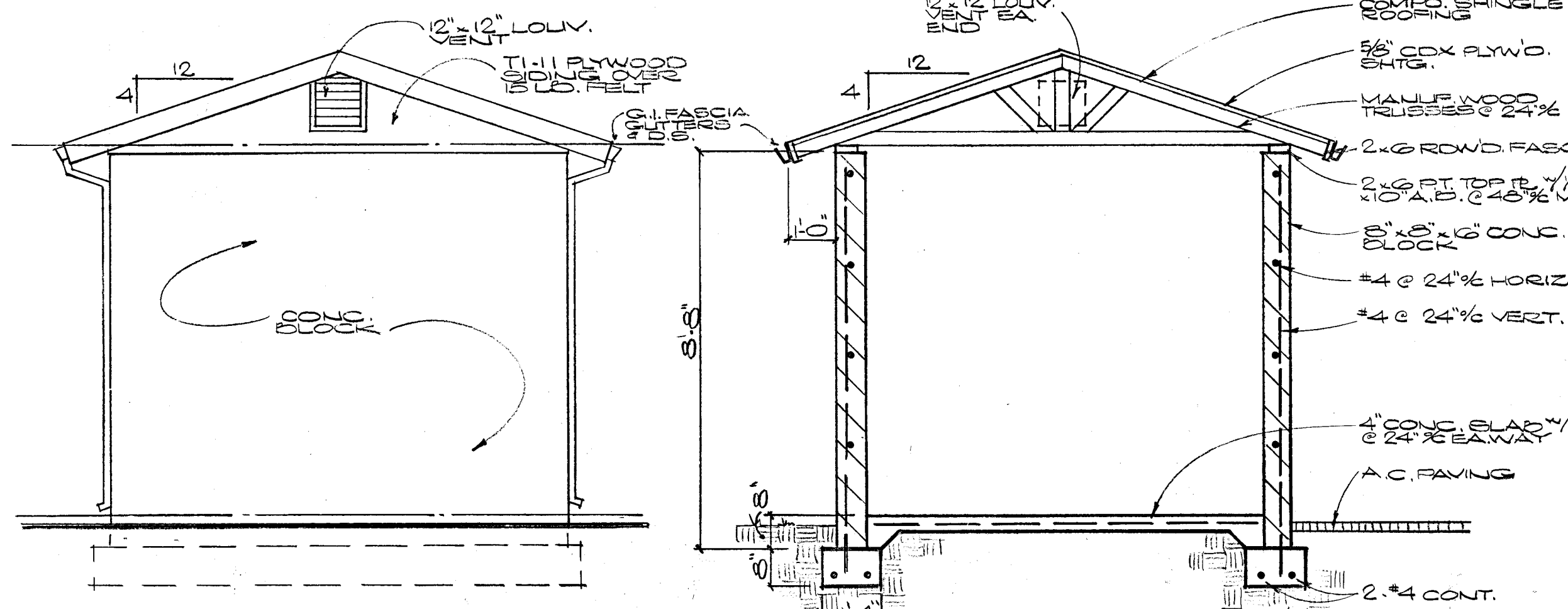
- LEGEND:**
- 12" PIPE
 - 6" PIPE
 - 4" PIPE
 - 2" PIPE
 - 1 1/2" PIPE
 - 1" PIPE
 - 3/4" PIPE
 - 1/2" PIPE
 - 1/4" PIPE
 - 1/8" PIPE
 - 1/16" PIPE
 - 1/32" PIPE
 - 1/64" PIPE
 - 1/128" PIPE
 - 1/256" PIPE
 - 1/512" PIPE
 - 1/1024" PIPE
 - 1/2048" PIPE
 - 1/4096" PIPE
 - 1/8192" PIPE
 - 1/16384" PIPE
 - 1/32768" PIPE
 - 1/65536" PIPE
 - 1/131072" PIPE
 - 1/262144" PIPE
 - 1/524288" PIPE
 - 1/1048576" PIPE
 - 1/2097152" PIPE
 - 1/4194304" PIPE
 - 1/8388608" PIPE
 - 1/16777216" PIPE
 - 1/33554432" PIPE
 - 1/67108864" PIPE
 - 1/134217728" PIPE
 - 1/268435456" PIPE
 - 1/536870912" PIPE
 - 1/1073741824" PIPE
 - 1/2147483648" PIPE
 - 1/4294967296" PIPE
 - 1/8589934592" PIPE
 - 1/17179869184" PIPE
 - 1/34359738368" PIPE
 - 1/68719476736" PIPE
 - 1/137438953472" PIPE
 - 1/274877906944" PIPE
 - 1/549755813888" PIPE
 - 1/1099511627776" PIPE
 - 1/2199023255552" PIPE
 - 1/4398046511104" PIPE
 - 1/8796093022208" PIPE
 - 1/17592186444416" PIPE
 - 1/35184372888832" PIPE
 - 1/70368745777664" PIPE
 - 1/140737491555328" PIPE
 - 1/281474983110656" PIPE
 - 1/562949966221312" PIPE
 - 1/1125899932442624" PIPE
 - 1/2251799864885248" PIPE
 - 1/4503599729770496" PIPE
 - 1/9007199459540992" PIPE
 - 1/18014398919081984" PIPE
 - 1/36028797838163968" PIPE
 - 1/72057595676327936" PIPE
 - 1/144115191352655872" PIPE
 - 1/288230382705311744" PIPE
 - 1/576460765410623488" PIPE
 - 1/1152921530821246976" PIPE
 - 1/2305843061642493952" PIPE
 - 1/4611686123284987904" PIPE
 - 1/9223372246569975808" PIPE
 - 1/18446744493139951616" PIPE
 - 1/36893488986279903232" PIPE
 - 1/73786977972559806464" PIPE
 - 1/147573955945119612928" PIPE
 - 1/295147911890239225856" PIPE
 - 1/590295823780478451712" PIPE
 - 1/1180591647560956903424" PIPE
 - 1/2361183295121913806848" PIPE
 - 1/4722366590243827613696" PIPE
 - 1/9444733180487655227392" PIPE
 - 1/18889466360975310454784" PIPE
 - 1/37778932721950620909568" PIPE
 - 1/75557865443901241819136" PIPE
 - 1/151115730887802483638272" PIPE
 - 1/302231461775604967276544" PIPE
 - 1/604462923551209934553088" PIPE
 - 1/1208925847102419869106176" PIPE
 - 1/2417851694204839738212352" PIPE
 - 1/4835703388409679476424704" PIPE
 - 1/9671406776819358952849408" PIPE
 - 1/19342813553638717905698816" PIPE
 - 1/38685627107277435811397632" PIPE
 - 1/77371254214554871622795264" PIPE
 - 1/154742508429109743245590528" PIPE
 - 1/309485016858219486491181056" PIPE
 - 1/618970033716438972982362112" PIPE
 - 1/1237940067432877955964724224" PIPE
 - 1/2475880134865755911929448448" PIPE
 - 1/4951760269731511823858896896" PIPE
 - 1/9903520539463023647717793792" PIPE
 - 1/19807041078926047295435875904" PIPE
 - 1/39614082157852094590871751808" PIPE
 - 1/79228164315704189181743503616" PIPE
 - 1/15845632863440837836348707232" PIPE
 - 1/31691265726881675672697414464" PIPE
 - 1/6338253145376335134539482912896" PIPE
 - 1/12676506290752670269078965825792" PIPE
 - 1/25353012581505340538157931651584" PIPE
 - 1/50706025163010681076315863303168" PIPE
 - 1/101412050326021362152631726606336" PIPE
 - 1/202824100652042724305263453212672" PIPE
 - 1/405648201304085448610526906425344" PIPE
 - 1/811296402608170897221053812850688" PIPE
 - 1/1622592852416341794442107625711376" PIPE
 - 1/3245185704832683588884215251422752" PIPE
 - 1/6490371409665367177776430502845504" PIPE
 - 1/12980742819330734355552861005691008" PIPE
 - 1/25961485638661468711105722011382016" PIPE
 - 1/51922971277322937422211444022764032" PIPE
 - 1/10384594255464587484442288045528064" PIPE
 - 1/207691885109291749688845760910572128" PIPE
 - 1/415383770218583499377691521821444256" PIPE
 - 1/830767540437166998755383043642888512" PIPE
 - 1/1661535080874333997510766087285776256" PIPE
 - 1/332307016174866799502153217457152512" PIPE
 - 1/6646140323497335990043064349143040256" PIPE
 - 1/1329228064699467198008612869828608512" PIPE
 - 1/26584561293989343760172257396572170256" PIPE
 - 1/53169122587978687520344514793144340512" PIPE
 - 1/106338245175957375040689029586288680256" PIPE
 - 1/212676490351914750081378191172577360512" PIPE
 - 1/4253529807038295001627563823451547210256" PIPE
 - 1/8507059614076590003255127646903094420512" PIPE
 - 1/1701411922815318000651025529380618800256" PIPE
 - 1/3402823845630636001302051058761237600512" PIPE
 - 1/6805647691261272002604102117524475200512" PIPE
 - 1/13611295382522544005208204235048950400512" PIPE
 - 1/27222590765045088010416408470097900800512" PIPE
 - 1/54445181530090176020832816940195801600512" PIPE
 - 1/10889036306018035241766563388039163200512" PIPE
 - 1/21778072612036070483533126776078326400512" PIPE
 - 1/43556145224072140967066253552156652800512" PIPE
 - 1/87112290448144281934132507104313305600512" PIPE
 - 1/174224580976288563868265014208626011200512" PIPE
 - 1/348449161952577127736530028417252022400512" PIPE
 - 1/696898323905154255473060056834504044800512" PIPE
 - 1/139379664781030851094612011367008089600512" PIPE
 - 1/278759329562061702189224022734016179200512" PIPE
 - 1/557518659124123404378448045468032358400512" PIPE
 - 1/111503731824824680875689690936064716800512" PIPE
 - 1/223007463649649361751379381872129433600512" PIPE
 - 1/446014927299298723502758763744258867200512" PIPE
 - 1/892029854598597447005517527488517734400512" PIPE
 - 1/178405970919719489401103505497035468800512" PIPE
 - 1/356811941839438978802207010994070937600512" PIPE
 - 1/713623883678877957604414021988141875200512" PIPE
 - 1/142724776735775591520882804397628374400512" PIPE
 - 1/285449553471551183041765608795256748800512" PIPE
 - 1/570899106943102366083531217590513497600512" PIPE
 - 1/1141798213886204732167062351910269993600512" PIPE
 - 1/2283596427772409464334124703820539974400512" PIPE
 - 1/4567192855544818928668249407641079948800512" PIPE
 - 1/91343857110896378573364988152821599974400512" PIPE
 - 1/182687714221792757146729976305643199948800512" PIPE
 - 1/365375428443585514293459952611286399937600512" PIPE
 - 1/730750856887171028586919905222572799875200512" PIPE
 - 1/1461501713774342057173839810451445599750400512" PIPE
 - 1/2923003427548684114347679620902891199500800512" PIPE
 - 1/5846006855097368228695359241805782399001600512" PIPE
 - 1/11692013710194736457390718483611564798003200512" PIPE
 - 1/23384027420389473914781436967223129579806400512" PIPE
 - 1/46768054840778947829562873934446259159712800512" PIPE
 - 1/93536109681557895659125



DUMP STATION FLOOR PLAN

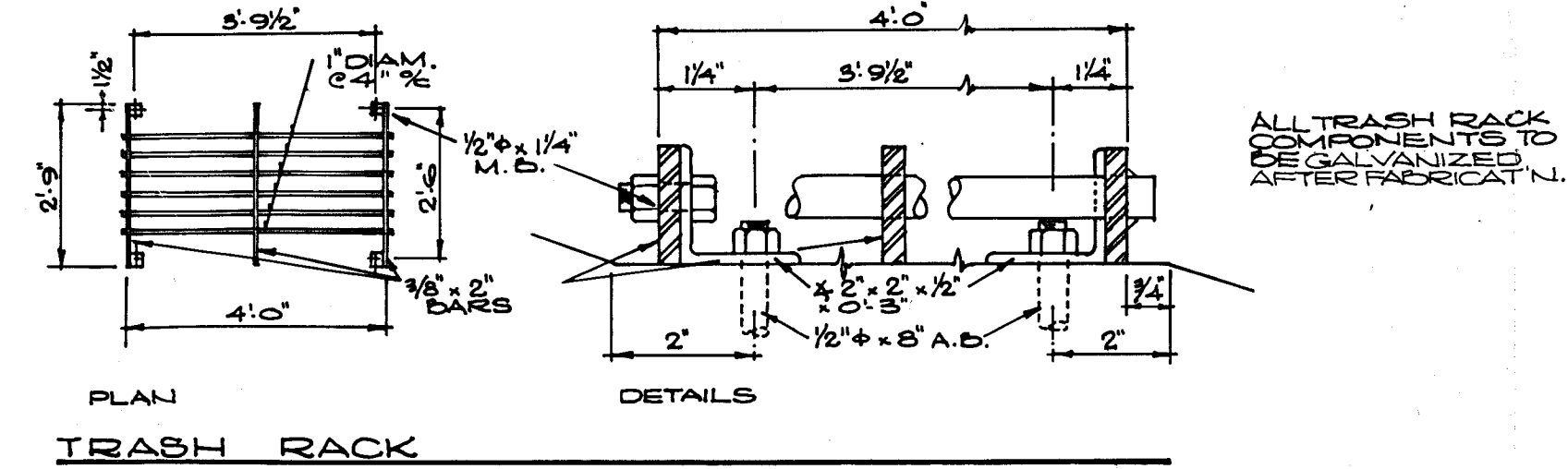


NORTH ELEVATION

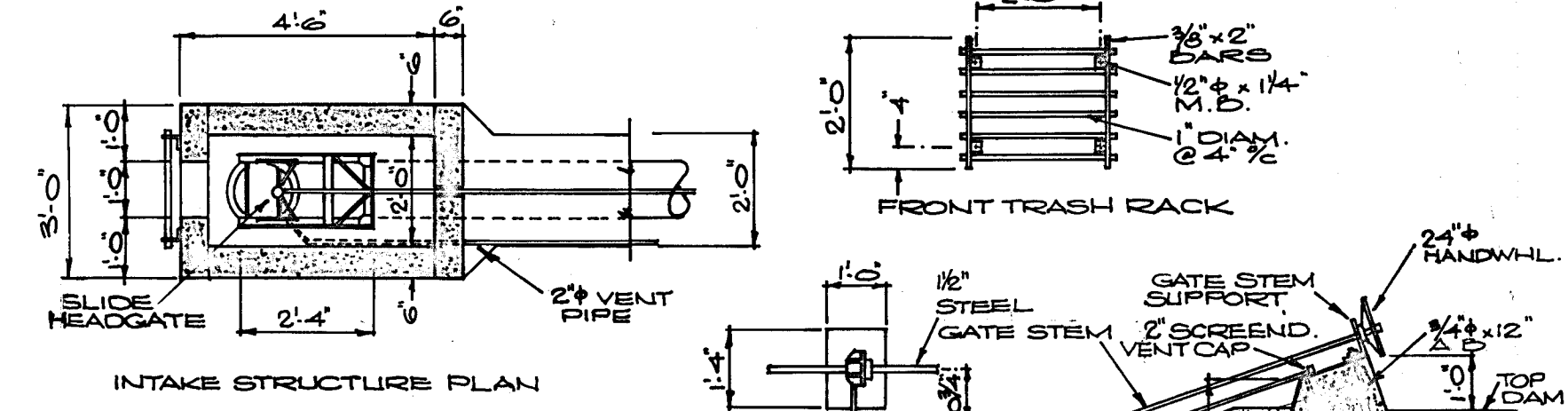


SIDE ELEVATION

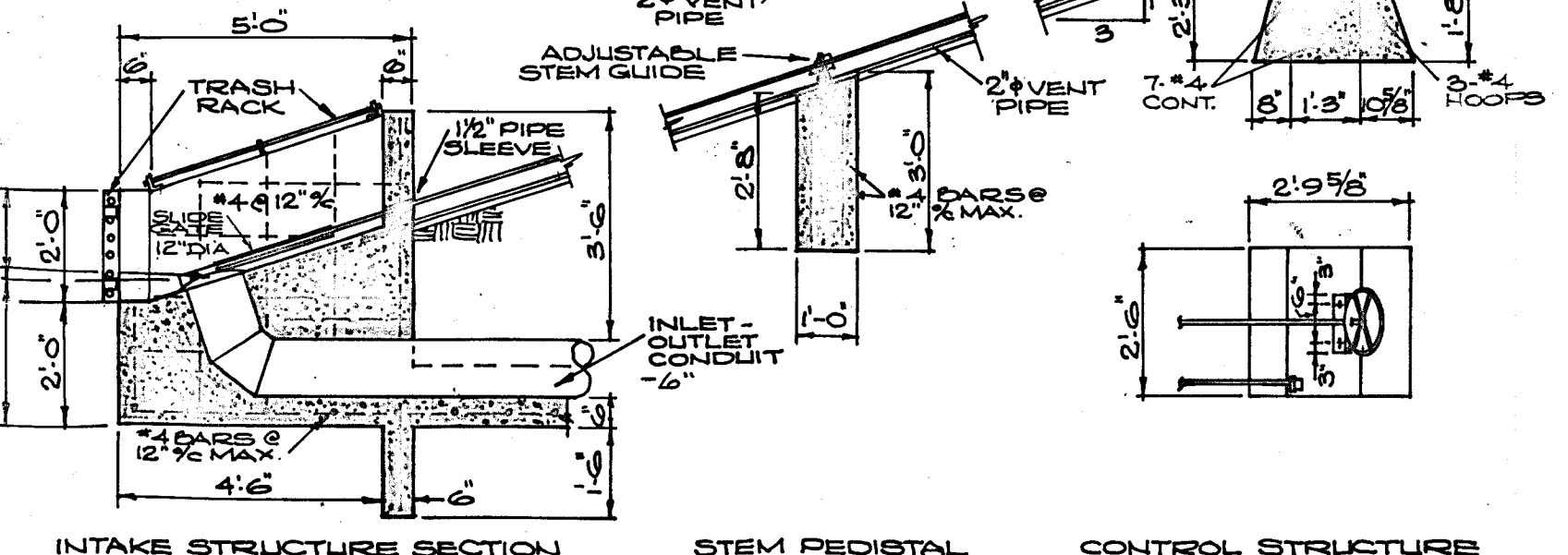
SECTION A-A



TRASH RACK



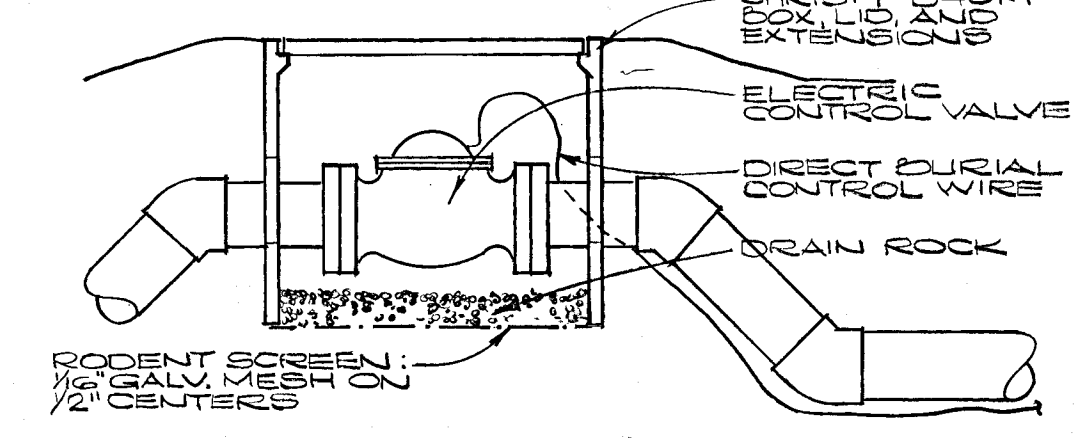
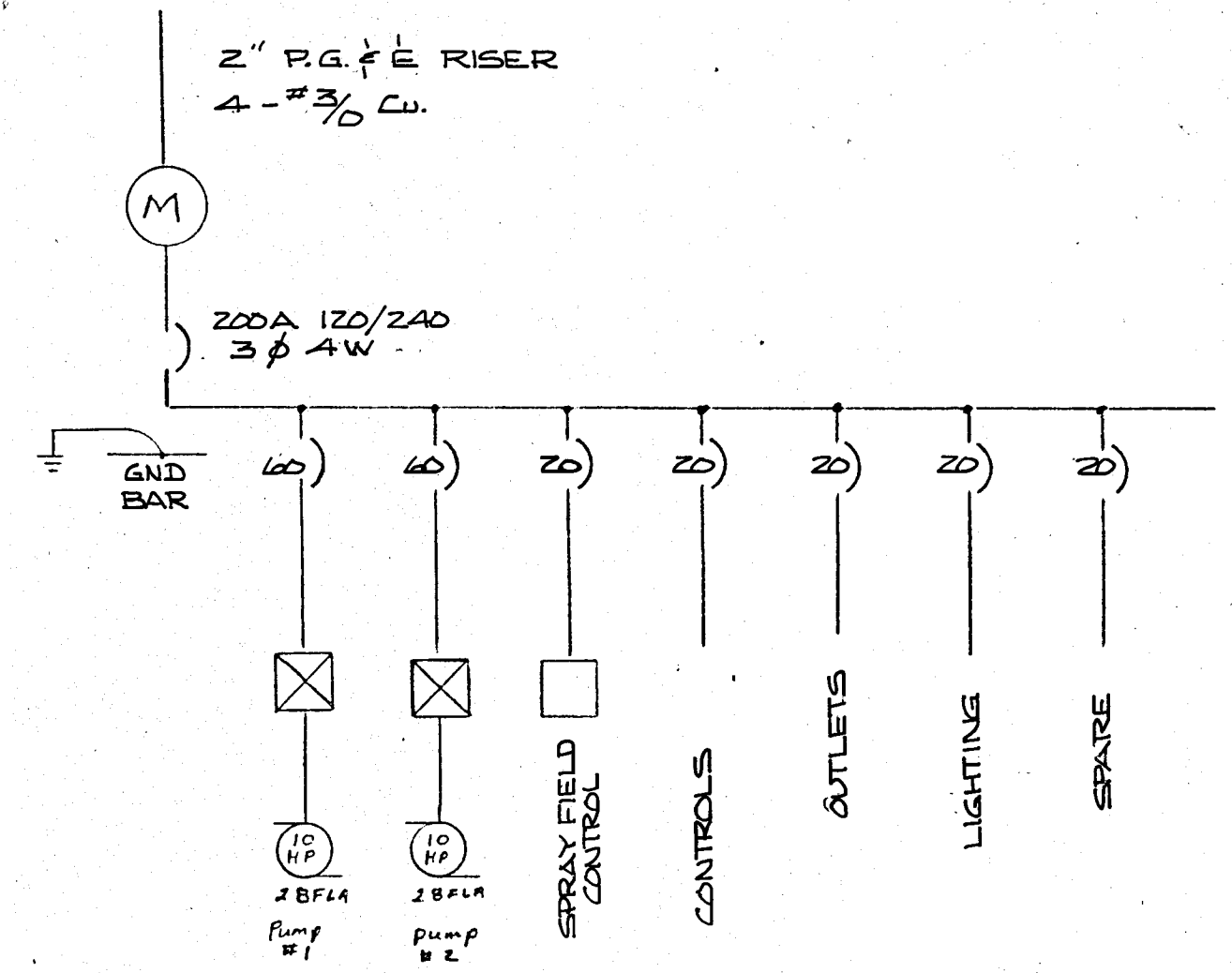
INTAKE STRUCTURE PLAN



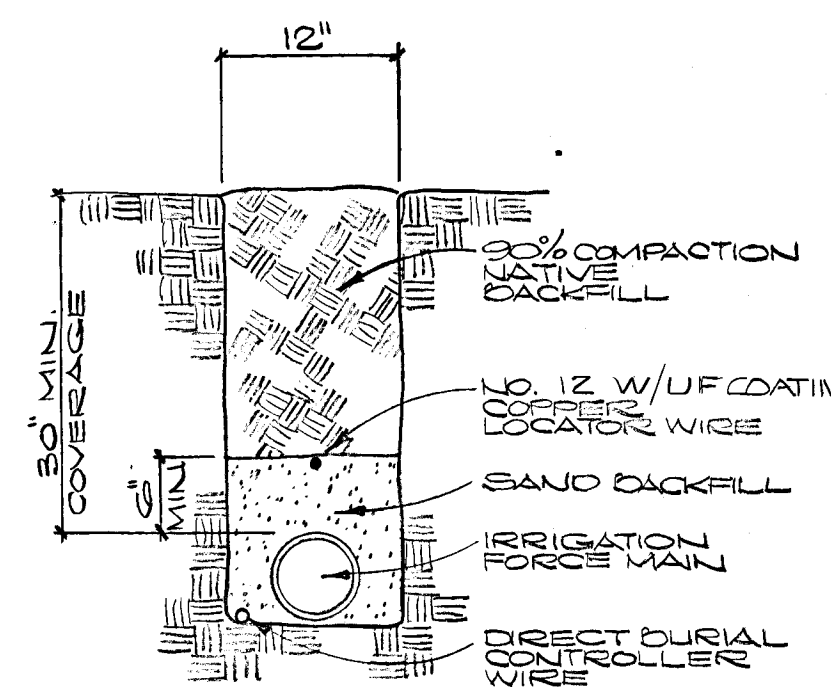
INTAKE STRUCTURE SECTION

GATE STRUCTURES

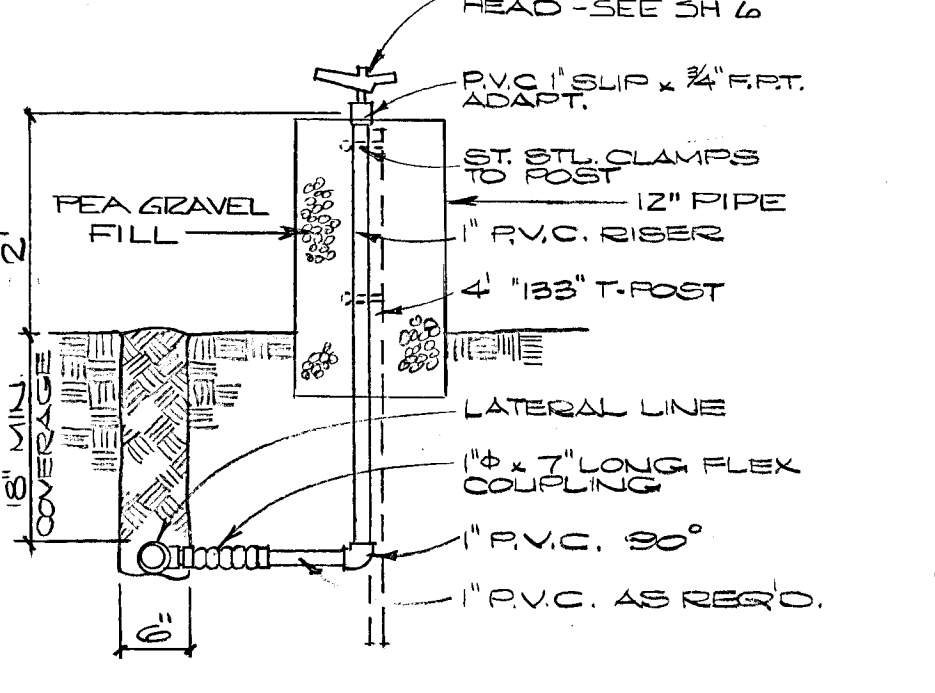
- LEGEND:**
- (A) SPRAY FIELD AND CONTROLLER
 - (B) PUMPS: PACO PIP 130 (ALT-GRUNFDS)
 - (C) FLOW METER AND REC. Z. DER.
 - (D) ELECTRICAL PANEL
 - (E) PHOTOELECTRIC CELL LIGHT EXT.
 - (F) PHOTOELECTRIC CELL LIGHT EXT.
 - (G) PHOTOELECTRIC CELL LIGHT EXT.
 - (H) PHOTOELECTRIC CELL LIGHT EXT.
 - (I) PHOTOELECTRIC CELL LIGHT EXT.
 - (J) PHOTOELECTRIC CELL LIGHT EXT.
 - (K) PHOTOELECTRIC CELL LIGHT EXT.
 - (L) PHOTOELECTRIC CELL LIGHT EXT.
 - (M) PHOTOELECTRIC CELL LIGHT EXT.
 - (N) PHOTOELECTRIC CELL LIGHT EXT.
 - (O) PHOTOELECTRIC CELL LIGHT EXT.
 - (P) PHOTOELECTRIC CELL LIGHT EXT.
 - (Q) PHOTOELECTRIC CELL LIGHT EXT.
 - (R) PHOTOELECTRIC CELL LIGHT EXT.
 - (S) PHOTOELECTRIC CELL LIGHT EXT.
 - (T) PHOTOELECTRIC CELL LIGHT EXT.
 - (U) PHOTOELECTRIC CELL LIGHT EXT.
 - (V) PHOTOELECTRIC CELL LIGHT EXT.
 - (W) PHOTOELECTRIC CELL LIGHT EXT.
 - (X) PHOTOELECTRIC CELL LIGHT EXT.
 - (Y) PHOTOELECTRIC CELL LIGHT EXT.
 - (Z) PHOTOELECTRIC CELL LIGHT EXT.



CONTROL VALVE DETAIL



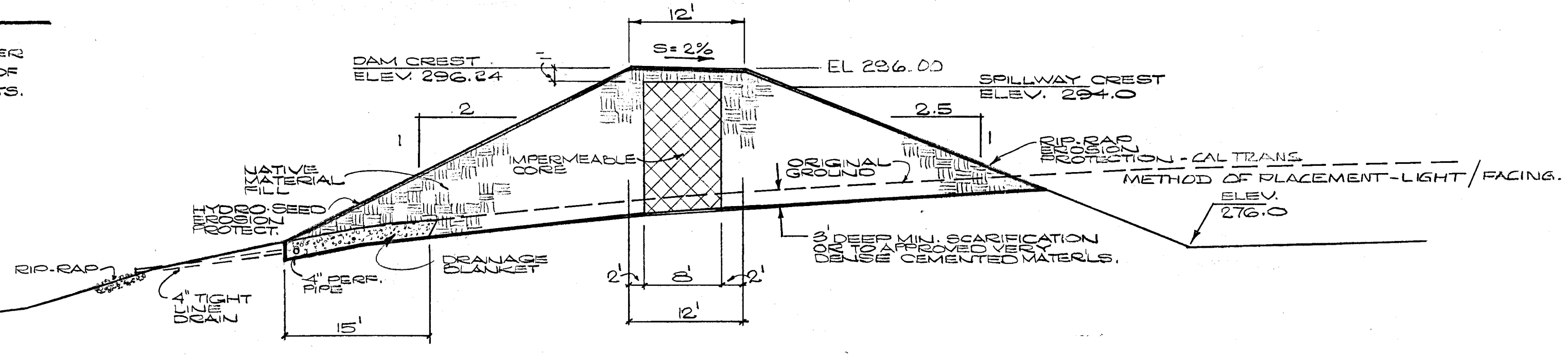
TRENCH DETAIL



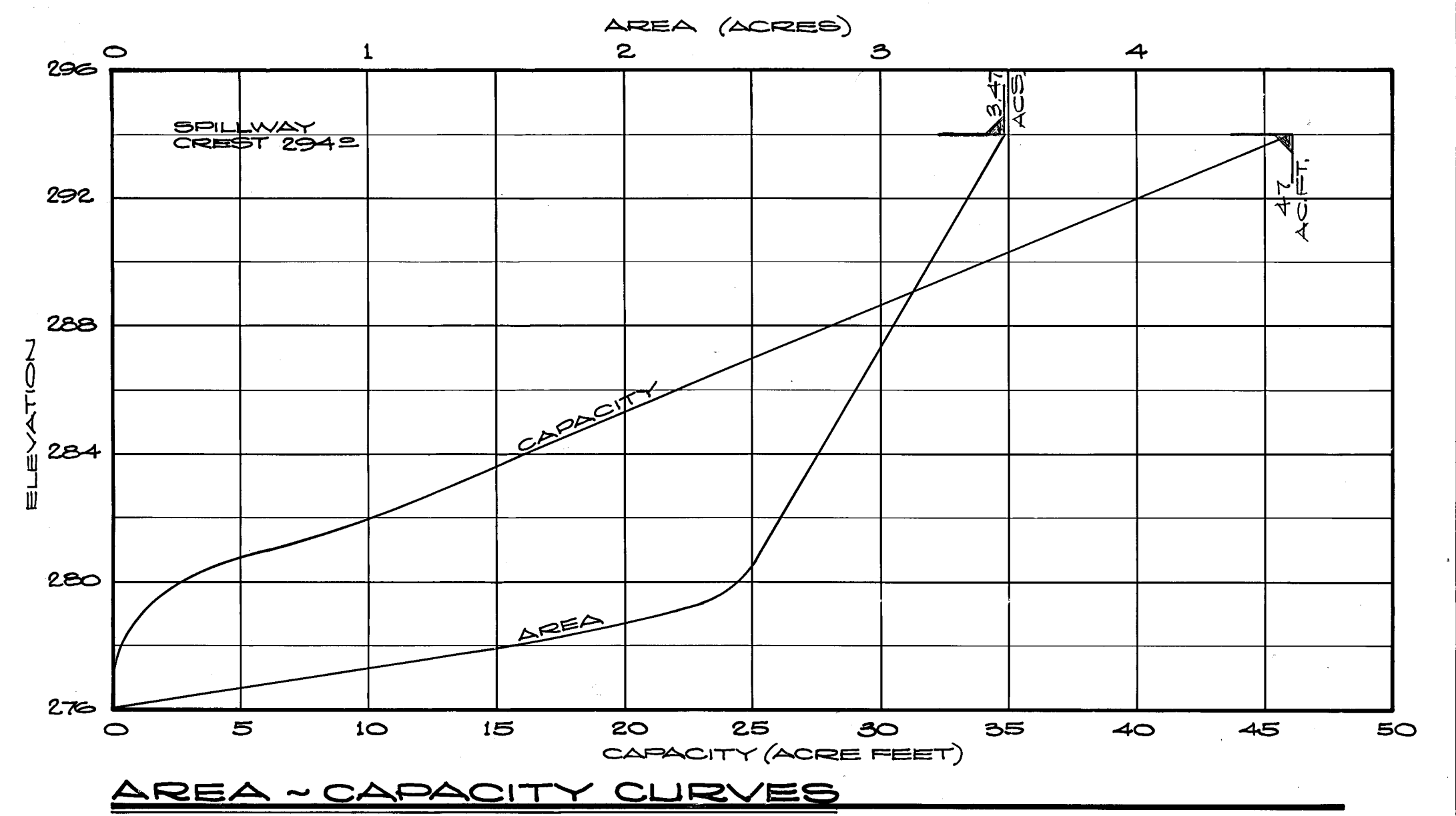
SCH 80 P.V.C. IRRIG. HEAD DETAIL

DAM NOTES:

1. THE DAM SHALL BE CONSTRUCTED IN ACCORDANCE WITH THE CALIFORNIA DAM SAFETY ACT AND ALL APPLICABLE REGULATIONS.
2. THE DAM SHALL BE DESIGNED TO WITHSTAND A DESIGN FLOOD OF 100 YEAR RETURN PERIOD.



SECTION THRU DAM



AREA ~ CAPACITY CURVES

Drawn by: R.S. Checked: [Signature]
 Submitted by: [Signature] C.E. No. 14774
 Expires: 3-31-09

REVISION	DATE	DESCRIPTION	BY	APPD.
1	1/0/21	WIRING SCHEMATIC ADDED		

WEATHERBY ASSOCIATES INC.
 ENGINEERING - SURVEYING - PLANNING
 206 Peek Street, Jackson, CA. 95642
 209-223-0381 209-754-1137

WALLACE LAKE ESTATES
 UNIT NO. 1
 CALAVERAS COUNTY, CALIFORNIA
SEWER DETAILS

DATE: 2-16-08
 SCALE: NOTED
 SHEET: S-7
 FILE NO.: D-3345
 OF 8

